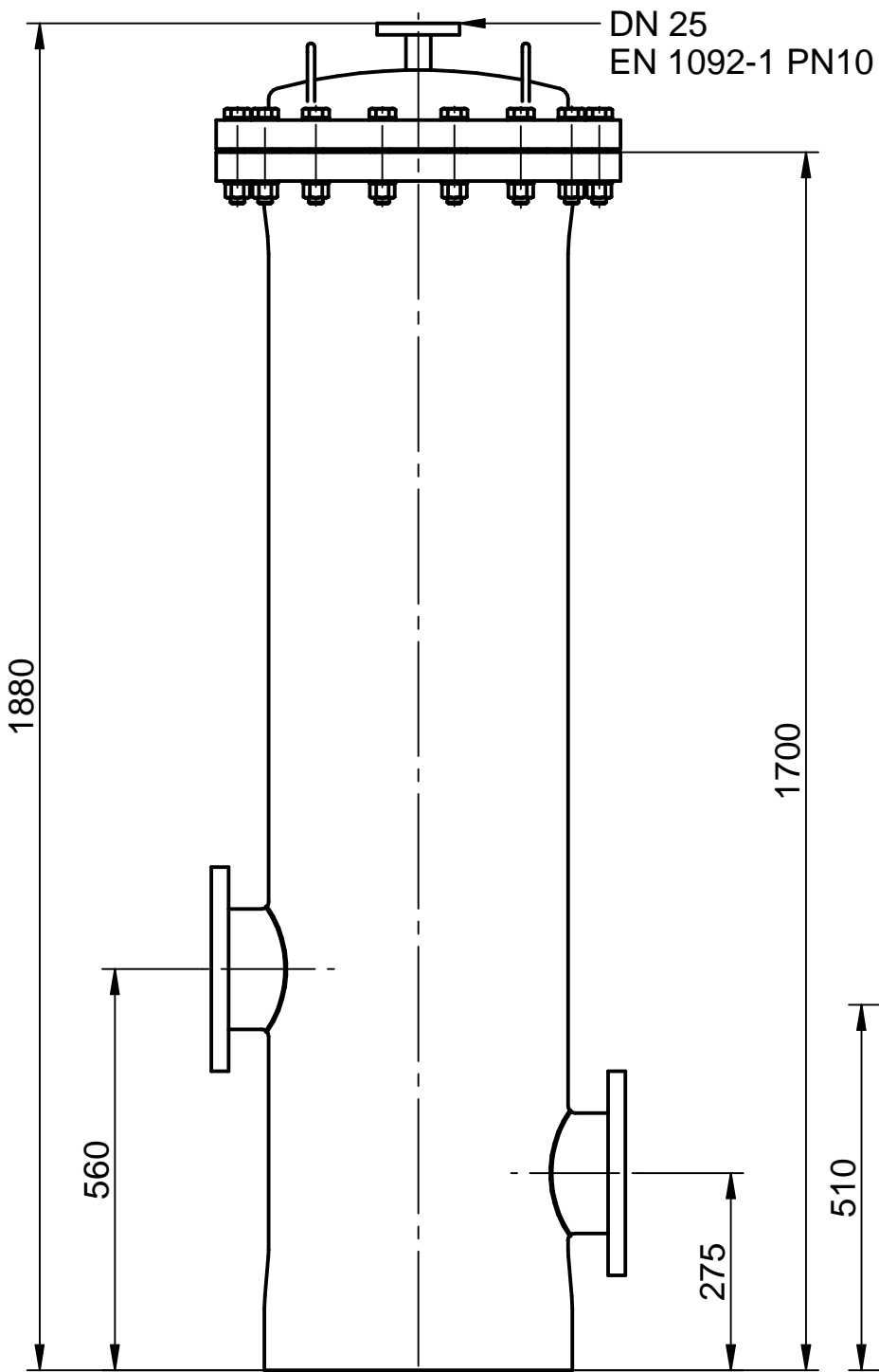
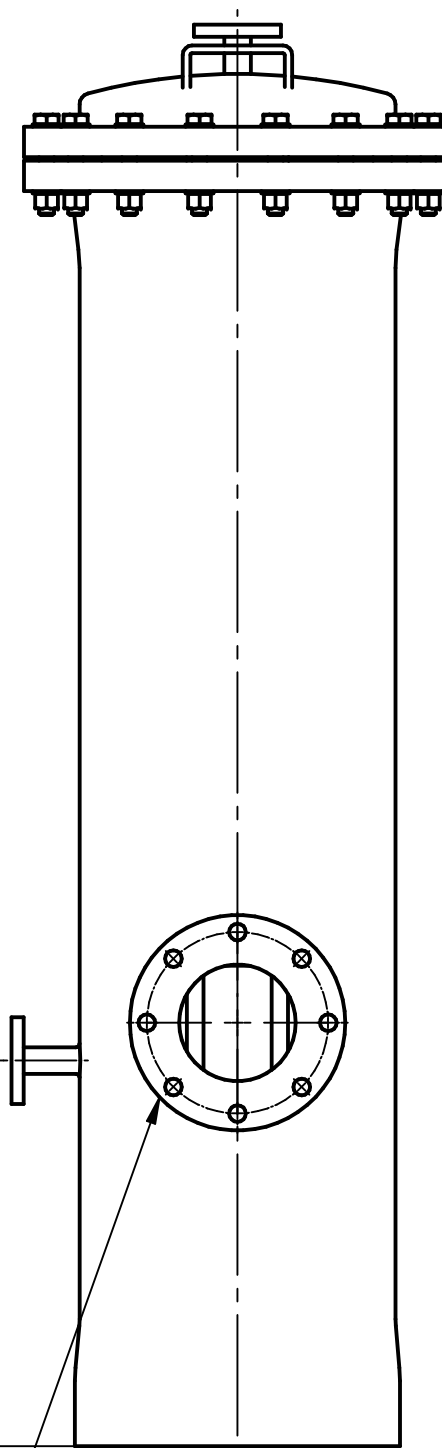
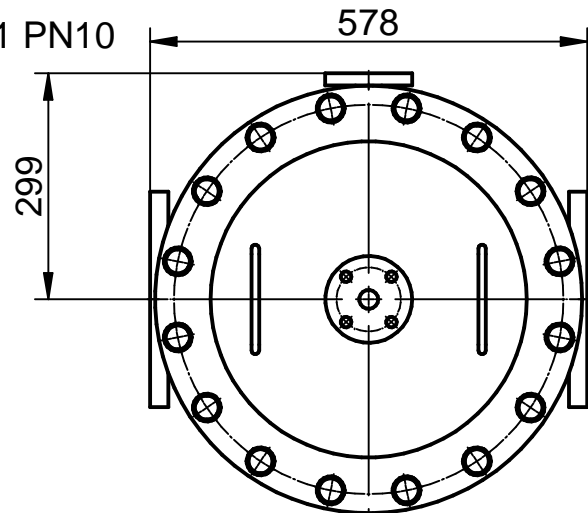


DN 150  
EN 1092-1 PN10

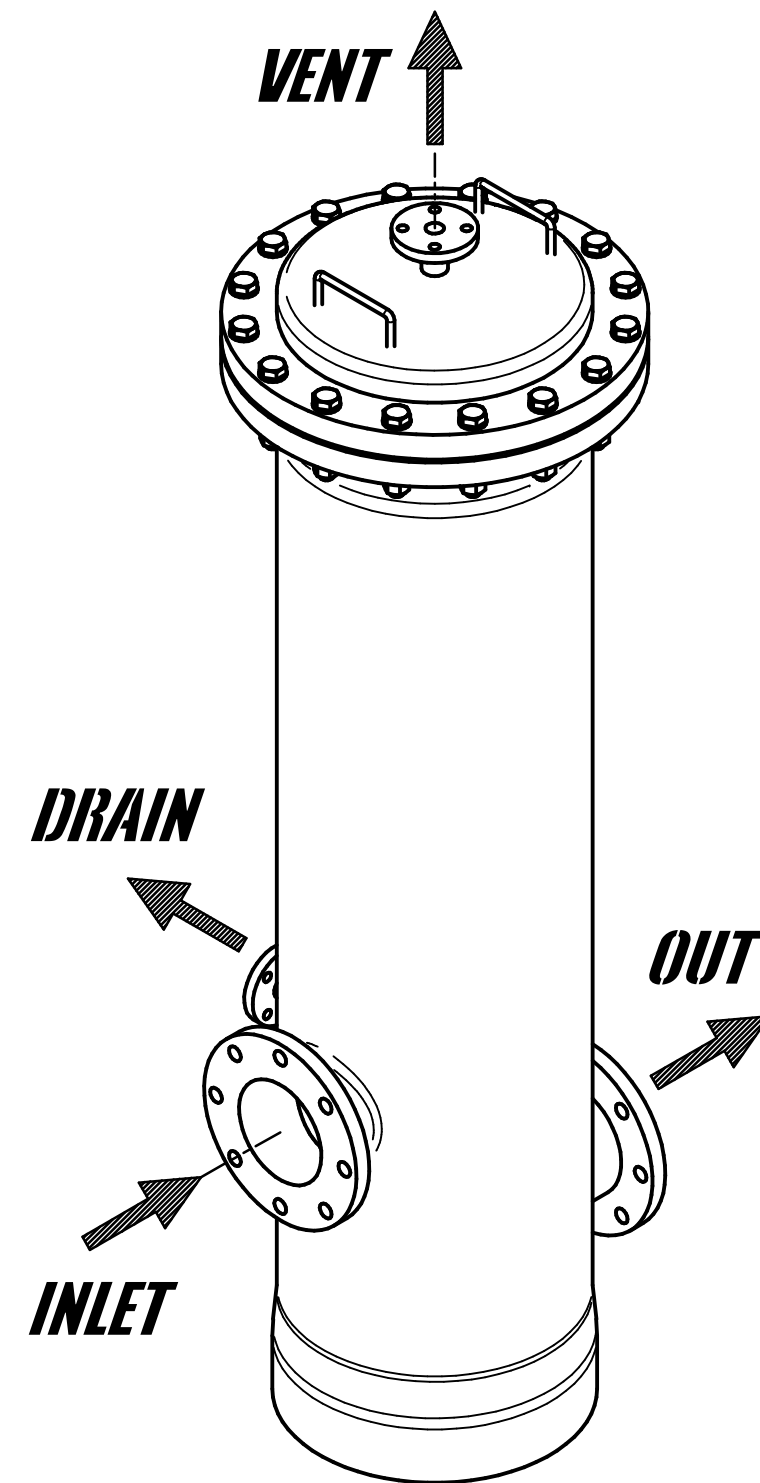



DN 25  
EN 1092-1 PN10

DN 25  
EN 1092-1 PN10



DN 150  
EN 1092-1 PN10



POS.	CODE	DENOMINATION		QUANTITY	MATERIALS	
ALL DIMENSIONS MILLIMETERS	ALL SURFACES FINISH ROUGHNESS IN Ra $\mu\text{m}$	GENERAL TOLLERANCES UNLESS OTHERWISE SPECIFIED UNI-EN 22768-mK UNI-EN 22768-c		NOT QUOTED	FILLET R=0.3 CHAMFER 0.3x45°	
SIMILAR TO	CRITICAL INDEX	WORK ORDER	JOB	QUANTITY	DRAWN DATE 26/02/2015 BY GONZATO	APPROVED DATE _ BY _
DENOMINATION <b>INGOMBRI FILTRO FIB-FON-4 4x40"</b>				CODE <b>FIBFRPFON440WH_I</b>		REV.
				MODIFICATION		DATE
				DATE		BY
REPRODUCTION IS PROHIBITED - ALL RIGHTS RESERVED ACCORDING TO THE LAW				SCALE	PROJECTION	
				1:10	