
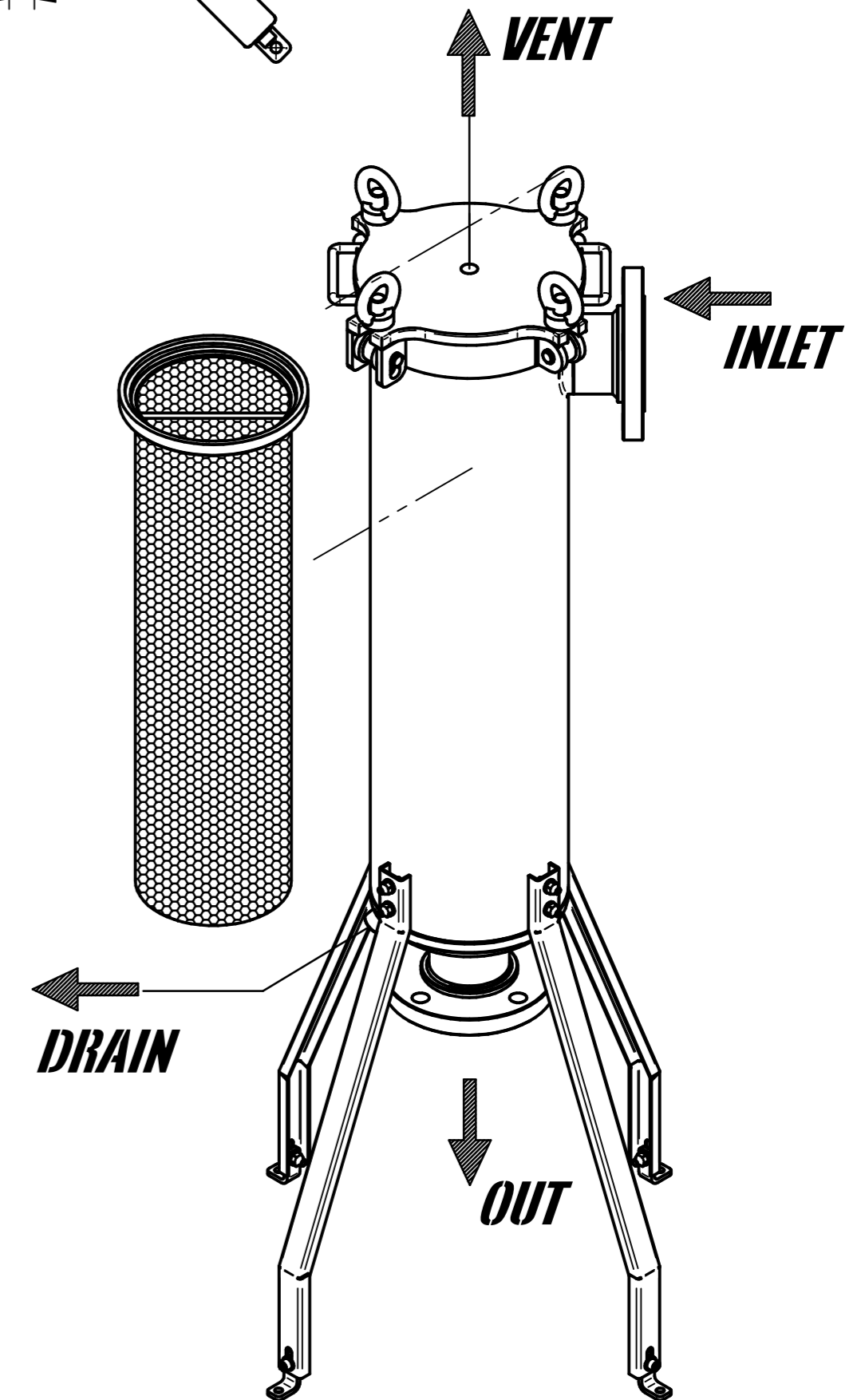
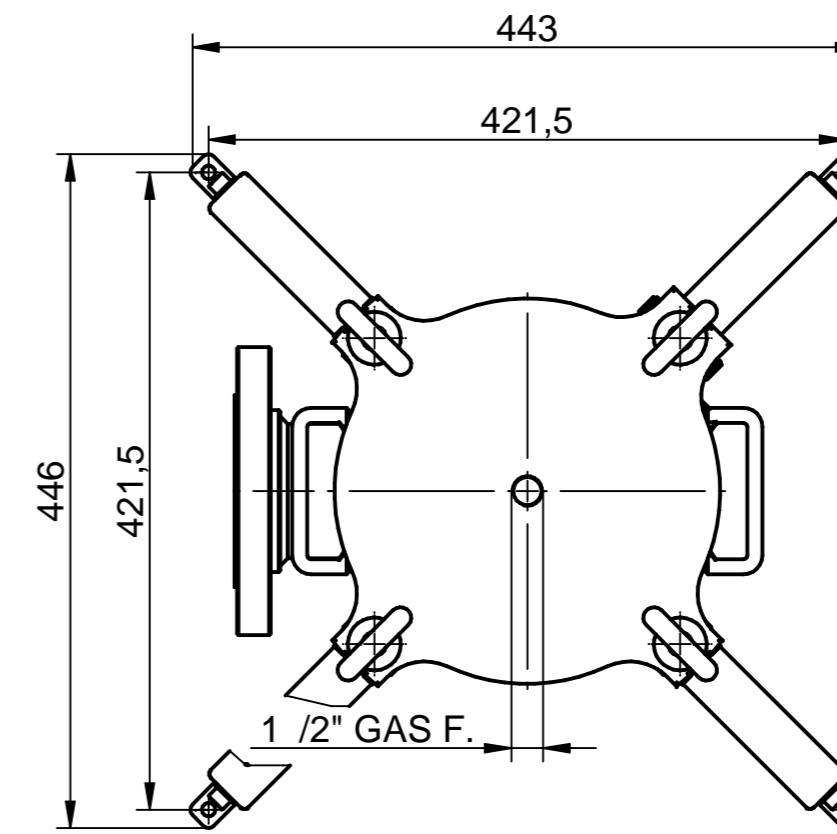
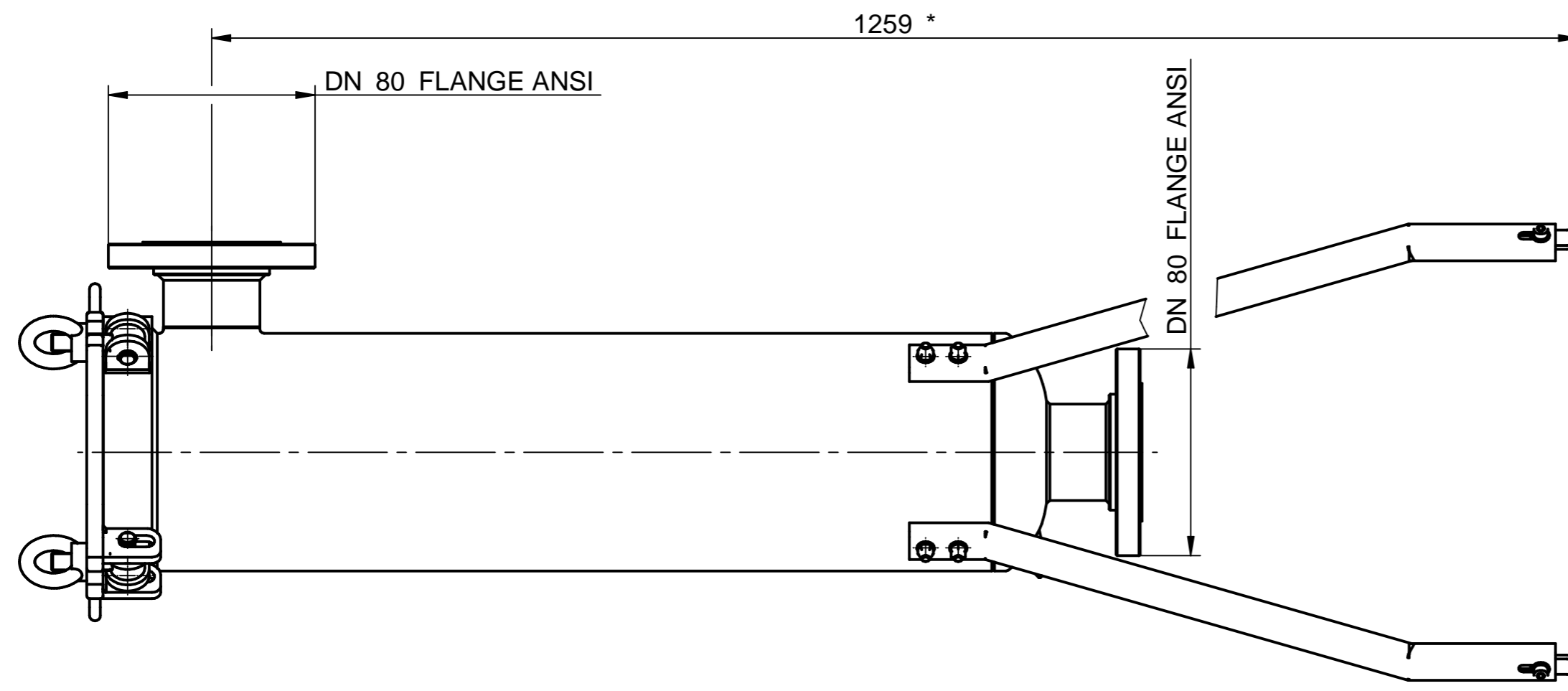
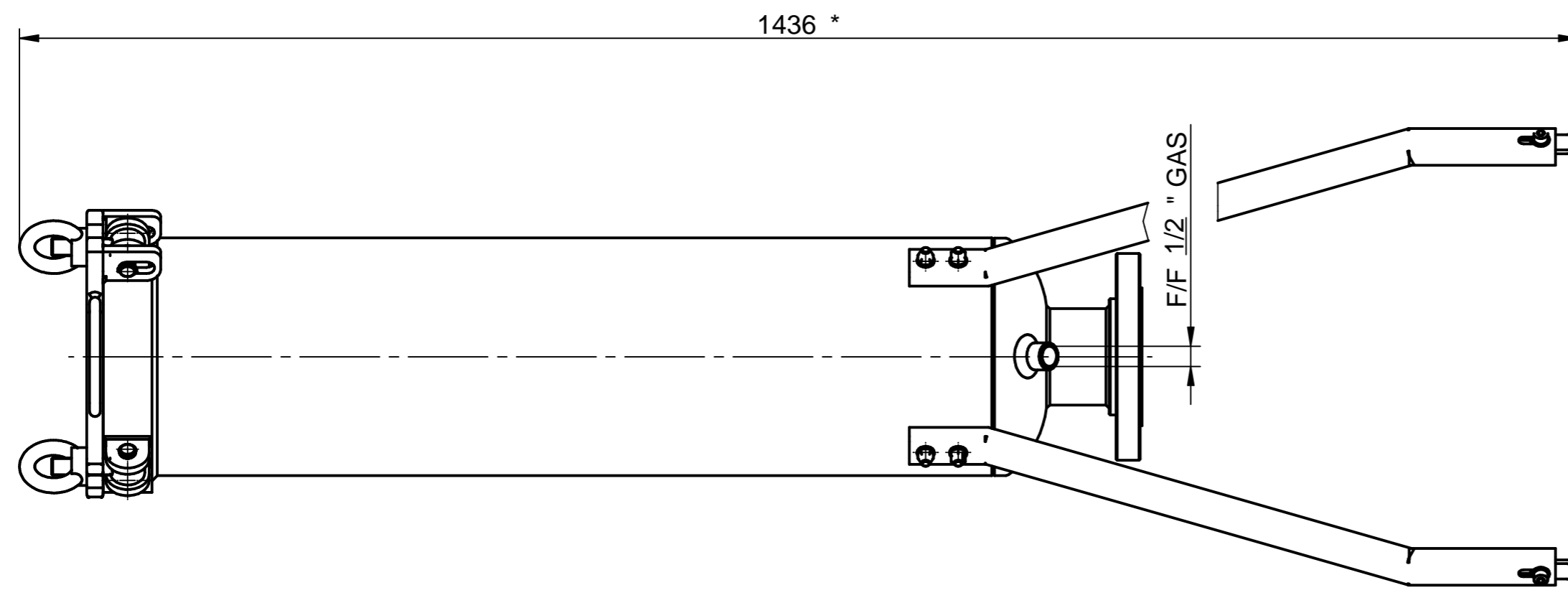


\* : LA QUOTA PUO' VARIARE DA 0-17 mm GRAZIE AI PIEDI REGOLABILI

\* : THE RATE CAN VARY FROM 0-17 mm THANKS TO ADJUSTABLE FEET

POS.	CODE	DENOMINATION			QUANTITY	MATERIALS
ALL DIMENSIONS MILLIMETERS	ALL SURFACES FINISH ROUGHNESS IN Ra $\mu\text{m}$	GENERAL TOLLERANCES UNLESS OTHERWISE SPECIFIED UNI-EN 22768-mk UNI-EN 22768-c			NOT QUOTED FILLET R=0.3 CHAMFER 0.3x45°	
SIMILAR TO	CRITICAL INDEX	WORK ORDER	JOB	QUANTITY	DRAWN DATE 12/06/2015 BY Tecnico	APPROVED DATE BY
DENOMINATION <b>FILTRO FBSA 1 x 17"</b>					CODE FBSA31617_..._300FAM	REV.
					MODIFICATION	DATE BY
REPRODUCTION IS PROHIBITED - ALL RIGHTS RESERVED ACCORDING TO THE LAW					SCALE 1:5	PROJECTION



\* : LA QUOTA PUO' VARIARE DA 0-17 mm GRAZIE AI PIEDI REGOLABILI

\* : THE RATE CAN VARY FROM 0-17 mm THANKS TO ADJUSTABLE FEET

POS.	CODE	DENOMINATION			QUANTIT	MATERIALS
ALL DIMENSIONS MILLIMETERS	ALL SURFACES FINISH ROUGHNESS IN Ra µm	GENERAL TOLLERANCES UNLESS OTHERWISE SPECIFIED UNI-EN 22768-mk UNI-EN 22768-c			NOT QUOTED	FILLET R=0.3 CHAMFER 0.3x45°
SIMILAR TO	CRITICAL INDEX	WORK ORDER	JOB	QUANTITY	DRAWN DATE 11/06/2015 BY Tecnico	APPROVED DATE BY
DENOMINATION					CODE	REV.
FILTRO FBSA 1 x 32"					FBSA31632_ _ _ 300FAM	
Everblue				MODIFICATION	DATE	BY
REPRODUCTION IS PROHIBITED - ALL RIGHTS RESERVED ACCORDING TO THE LAW				BARCODE	SCALE	PROJECTION
					1:6.67	