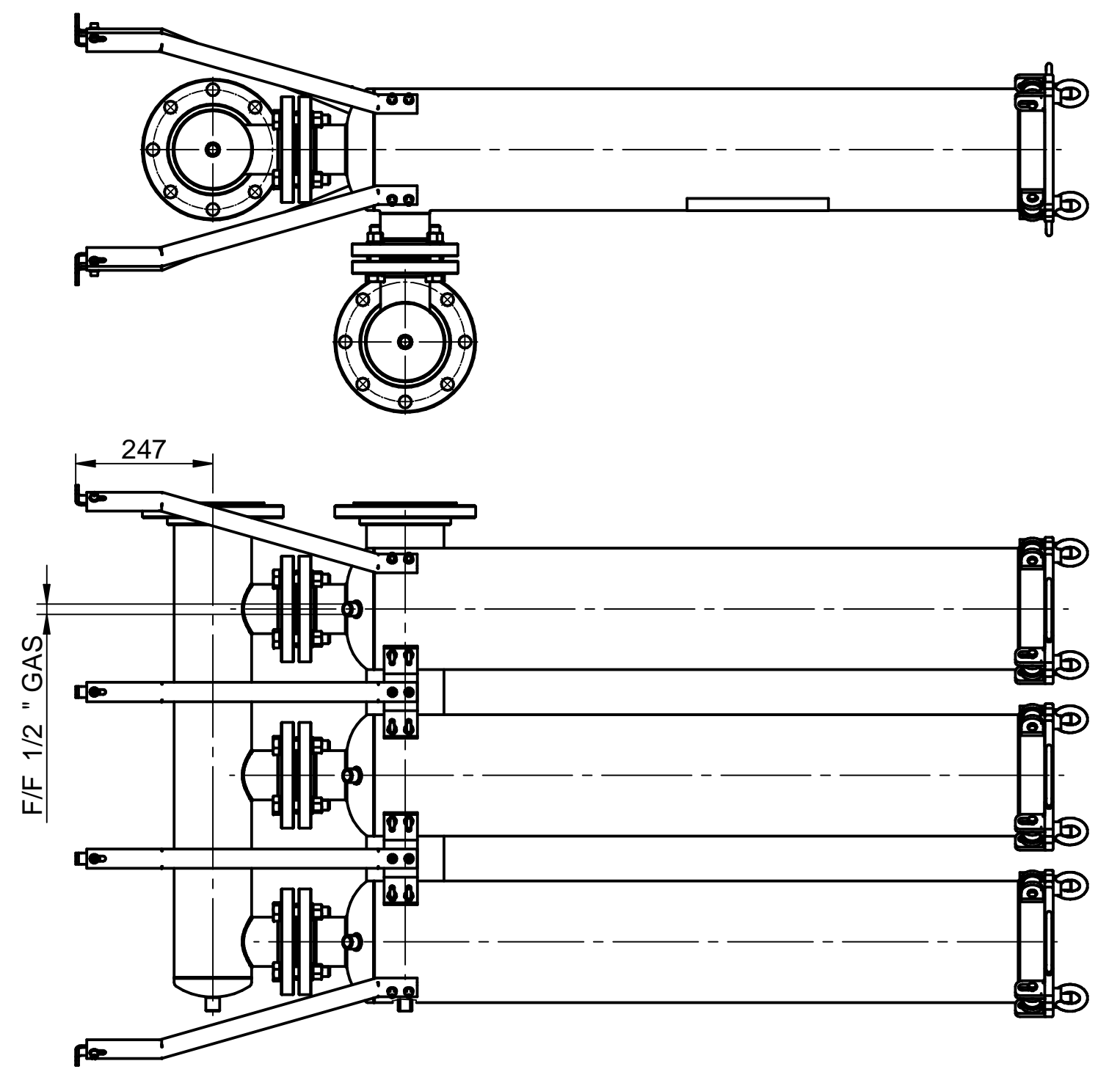



DN 125 FLANGE ANSI



POS.	CODE	DENOMINATION			QUANTITY	MATERIALS
ALL DIMENSIONS MILLIMETERS	ALL SURFACES FINISH ROUGHNESS IN Ra μm	GENERAL TOLLERANCES UNLESS OTHERWISE SPECIFIED UNI-EN 22768-mK UNI-EN 22768-c			NOT QUOTED	FILLET R=0.3 CHAMFER 0.3x45°
SIMILAR TO	CRITICAL INDEX	WORK ORDER	JOB	QUANTITY	DRAWN DATE 24/06/2016 BY Tecnico	APPROVED DATE - BY -
DENOMINATION FILTERBLACK FBKA-02-3RS 6x20"					CODE FBKA3RS316LBL0620M	REV.
					MODIFICATION	DATE
					DATE	BY
REPRODUCTION IS PROHIBITED - ALL RIGHTS RESERVED ACCORDING TO THE LAW					SCALE 1:10	PROJECTION 