

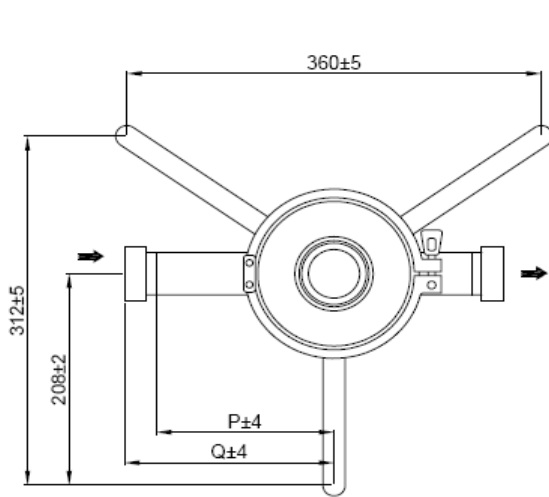
The future filtration



Via Caduti del Lavoro  
43043 Borgo Val di Taro (Parma) – Italy  
Tel. +39-0525-920108 Fax +39-0525-90177  
E.mail [info@everblue.it](mailto:info@everblue.it) Web site [www.everblue.it](http://www.everblue.it)  
C.F./P.I. IT 02177630346



## FILTRO AISI 316 L SH0-C7-1



### PART NUMBERS

CARTRIDGE SOCKET		CARTRIDGE HEIGHT	
0	226 / CODE 7	1	10"
1	222 / CODE 8	2	20"
		3	30"
		4	40"

501 X 01 Y ZZZZ

### INLET-OUTLET CONNECTIONS

F	WELD	DN	A L P ØD			
			A	L	P	ØD
	1025	1.0"	381	163	91	25.4
	1038	1.5"	354	194	122	38.1

F	DIN 11851 MALE PART	DN	A B Q ØD			
			A	B	Q	ØD
	2025	25	381	221	120	25.4
	2040	40	354	258	154	38.1

F	CLAMP	DN	A B Q ØD			
			A	B	Q	ØD
	3025	1.0"	381	189	104	25.4
	3150	1.5"	354	220	135	38.1

F	RJT MALE PART	DN	A B Q ØD			
			A	B	Q	ØD
	4025	1.0"	381	227	123	25.4
	4150	1.5"	354	258	154	38.1

F	SMS MALE PART	DN	A B Q ØD			
			A	B	Q	ØD
	5025	1.0"	381	203	111	25.4
	5150	1.5"	354	240	145	38.1

F	FLANGES DIN 2633	DN	A B Q ØD			
			A	B	Q	ØD
	9025	20	381	239	129	25.4
	9032	32	354	274	162	38.1

F	FLANGES ANSI 150 lb	DN	A B Q ØD			
			A	B	Q	ØD
	8025	0.75"	381	268	143	25.4
	8125	1.25"	354	274	162	38.1

### TECHNICAL DATA

VESSEL RANGE	SH - SANITARY
NO. CARTRIDGES	01
DESIGN CODE	AD MERKBLATT
CERTIFICATION	CE 97/23 PED
FLUID GROUP	1 - 2 (DANGEROUS AND NOT)
HAZARD CATEGORY	I
DESIGN PRESSURE (PS)	10 bar
TEST PRESSURE (PT)	14.5 bar
VESSEL MATERIAL	316L / 1.4404
SEALS MATERIAL	SILICONE FDA BGA APPROVED
INTERNAL FINISHING	MECHANICAL POLISHING
INTERNAL ROUGHNESS	RA<0.8 MICRON
EXTERNAL FINISHING	MECHANICAL POLISHING
VENT CONNECTION G	CLAMP 1.5"

VESSEL TYPE	SH011	SH012	SH013	SH014
CARTRIDGES HEIGHT	10"	20"	30"	40"
C mm	800	1050	1300	1550
E mm	300	550	800	1050
TOTAL VESSEL VOLUME litres (V)	3.0	4.8	6.7	8.6
INTEGRITY TEST VOLUME litres (Vi)	2.0	3.1	4.2	5.3
BOWL WEIGHT kg	2.0	3.3	4.6	5.9
TOTAL NET WEIGHT kg	7.0	8.2	9.4	10.6
PACKAGING SIZE CM30x27x	112	112	112	127
TOTAL WEIGHT PACKED kg	8.0	9.5	11.0	13.0

WORKING CONDITIONS CE 97/23			MAX PRESSURE bar			
FLUID GROUP	STATE	TEMPERAT.	SH011	SH012	SH013	SH014
DANGEROUS	LIQUID	0 - 40° C	10.0	10.0	10.0	10.0
DANGEROUS	LIQUID	150° C	7.5	7.5	7.5	7.5
DANGEROUS	GAS/VAPOR	0 - 40° C	10.0	10.0	7.4	5.8
DANGEROUS	GAS/VAPOR	150° C	7.5	7.5	7.4	5.8
NOT DANGER	LIQUID	0 - 40° C	10.0	10.0	10.0	10.0
NOT DANGER	LIQUID	150° C	7.5	7.5	7.5	7.5
NOT DANGER	GAS/VAPOR	0 - 40° C	10.0	10.0	10.0	10.0
NOT DANGER	GAS/VAPOR	150° C	7.5	7.5	7.5	7.5
INTEGRITY TEST			10.0	10.0	10.0	10.0

*The future filtration*



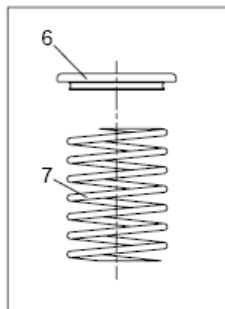
Via Caduti del Lavoro  
43043 Borgo Val di Taro (Parma) – Italy  
Tel. +39-0525-920108 Fax +39-0525-90177  
E.mail [info@everblue.it](mailto:info@everblue.it) Web site [www.everblue.it](http://www.everblue.it)  
C.F./P.I. IT 02177630346



POS.	DESCRIPTION	MATERIAL	PART. NO.	Q.TY
1.1	HOUSING BOWL 10"	AISI 316L	1844	1
1.2	HOUSING BOWL 20"	AISI 316L	1845	1
1.3	HOUSING BOWL 30"	AISI 316L	1846	1
1.4	HOUSING BOWL 40"	AISI 316L	1847	1
2	CLAMP 4"	AISI 304	61155	1
3	CARTRIDGES PLATE + BENDS	AISI 316L	.	1
4	GASKET CLAMP 4"	SILICONE *	80026S	1
5	LEG	AISI 304	1438	3
6	PROTECTION RING	AISI 316L	1879	1
7	SPRING	AISI 316L	1878	1

\* ASK FOR AVAILABLE MATERIALS

ONLY FOR 222 - CODE 8



\*\* IN CASE YOU NEED PTFE GASKET YOU NEED TO ORDER ALSO HEAVY CLAMP P/N 81297

