

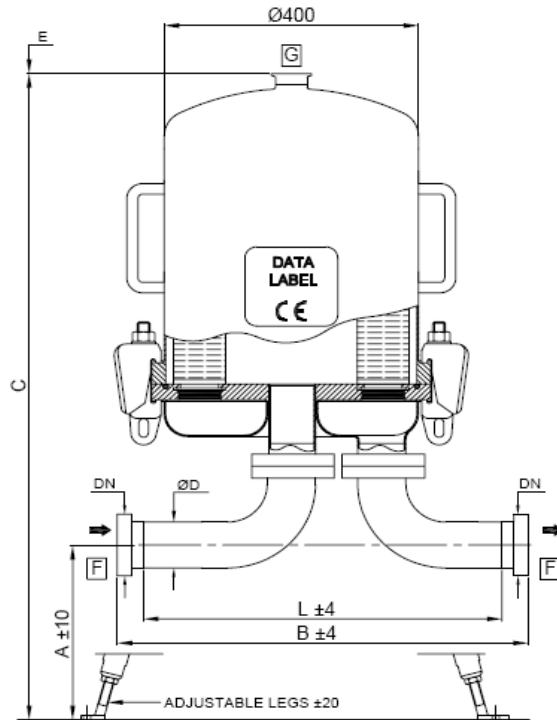
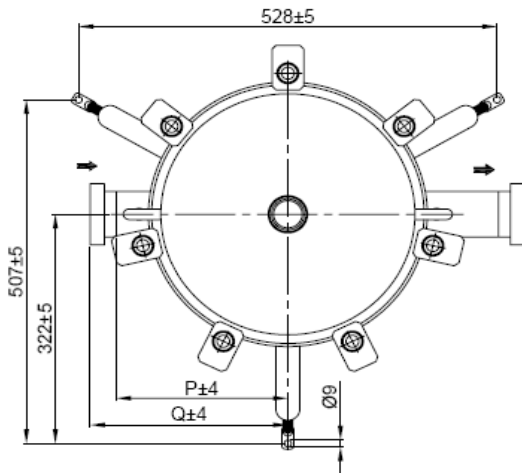
The future filtration



Via Caduti del Lavoro
43043 Borgo Val di Taro (Parma) – Italy
Tel. +39-0525-920108 Fax +39-0525-90177
E.mail info@everblue.it Web site www.everblue.it
C.F./P.I. IT 02177630346



FILTRO AISI 316 L SH0-C7-18



PART NUMBERS

| CARTRIDGE SOCKET | | CARTRIDGE HEIGHT | |
|------------------|--------------|------------------|-----|
| 0 | 226 / CODE 7 | 1 | 10" |
| 1 | 222 / CODE 8 | 2 | 20" |
| | | 3 | 30" |
| | | 4 | 40" |

501 X 18 Y ZZZZ

INLET-OUTLET CONNECTIONS

| | | DN | A | L | P | ØD |
|-----------|------|------|-----|-----|-----|-------|
| F WELD | 1063 | 2.5" | 325 | 524 | 252 | 63.5 |
| | 1076 | 3.0" | 297 | 540 | 240 | 76.2 |
| | 1101 | 4.0" | 292 | 604 | 220 | 101.6 |
| | 1114 | 4.0" | 277 | 525 | 233 | 114.3 |

| | | DN | A | B | Q | ØD |
|-----------------------------|------|-----|-----|-----|-----|-------|
| F DIN 11851 MALE PART | 2065 | 65 | 325 | 604 | 292 | 63.5 |
| | 2080 | 80 | 310 | 582 | 276 | 85.0 |
| | 2100 | 100 | 292 | 604 | 272 | 101.6 |

| | | DN | A | B | Q | ØD |
|------------|------|------|-----|-----|-----|-------|
| F CLAMP | 3063 | 2.5" | 325 | 550 | 265 | 63.5 |
| | 3076 | 3.0" | 297 | 566 | 253 | 76.2 |
| | 3101 | 4.0" | 292 | 630 | 246 | 101.6 |

| | | DN | A | B | Q | ØD |
|-----------------------|------|------|-----|-----|-----|-------|
| F RJT MALE PART | 4063 | 2.5" | 325 | 588 | 284 | 63.5 |
| | 4076 | 3.0" | 297 | 604 | 272 | 76.2 |
| | 4101 | 4.0" | 292 | 668 | 252 | 101.6 |

| | | DN | A | B | Q | ØD |
|-----------------------|------|------|-----|-----|-----|-------|
| F SMS MALE PART | 5063 | 2.5" | 325 | 584 | 282 | 63.5 |
| | 5076 | 3.0" | 297 | 610 | 275 | 76.2 |
| | 5101 | 4.0" | 292 | 664 | 263 | 101.6 |

| | | DN | A | B | Q | ØD |
|--------------------------|------|-----|-----|-----|-----|-------|
| F FLANGES DIN 2633 | 9060 | 50 | 301 | 614 | 297 | 63.5 |
| | 9076 | 65 | 273 | 630 | 295 | 76.2 |
| | 9089 | 80 | 318 | 609 | 305 | 88.9 |
| | 9114 | 100 | 277 | 629 | 285 | 114.3 |

| | | DN | A | B | Q | ØD |
|-----------------------------|------|------|-----|-----|-----|-------|
| F FLANGES ANSI 150 lb | 8060 | 2.5" | 301 | 664 | 322 | 63.5 |
| | 8076 | 3.0" | 273 | 680 | 310 | 76.2 |
| | 8089 | 3.5" | 318 | 652 | 326 | 88.9 |
| | 8114 | 4.0" | 277 | 678 | 309 | 114.3 |

TECHNICAL DATA

| | |
|----------------------|---------------------------|
| VESSEL RANGE | SH - SANITARY |
| NO. CARTRIDGES | 18 |
| DESIGN CODE | AD MERKBLATT |
| CERTIFICATION | CE 97/23 PED |
| FLUID GROUP | 1 - 2 (DANGEROUS AND NOT) |
| HAZARD CATEGORY | I |
| DESIGN PRESSURE (PS) | 8 bar |
| TEST PRESSURE (PT) | 11.5 bar |
| VESSEL MATERIAL | 316L / 1.4404 |
| SEALS MATERIAL | SILICONE FDA BGA APPROVED |
| INTERNAL FINISHING | MECHANICAL POLISHING |
| INTERNAL ROUGHTNESS | RA<0.8 MICRON |
| EXTERNAL FINISHING | MECHANICAL POLISHING |
| VENT CONNECTION [G] | CLAMP 1.5" |

| VESSEL TYPE | SH181 | SH182 | SH183 | SH184 |
|-----------------------------------|----------|-------|-------|-------|
| CARTRIDGES HEIGHT | 10" | 20" | 30" | 40" |
| C mm | 950 | 1200 | 1450 | 1700 |
| E mm | 290 | 540 | 790 | 1040 |
| TOTAL VESSEL VOLUME litres (V) | 54 | 85 | 115 | 146 |
| INTEGRITY TEST VOLUME litres (Vi) | 31 | 47 | 64 | 80 |
| BOWL WEIGHT kg | 12 | 17 | 22 | 27 |
| TOTAL NET WEIGHT kg | 59 | 63 | 68 | 74 |
| PACKAGING SIZE | CM59x58x | 78 | 103 | 128 |
| TOTAL WEIGHT PACKED kg | 64 | 68 | 74 | 80 |

| WORKING CONDITIONS CE 97/23 | | | MAX PRESSURE bar | | | |
|-----------------------------|-----------|------------|------------------|-------|-------|-------|
| FLUID GROUP | STATE | TEMPERAT. | SH181 | SH182 | SH183 | SH184 |
| DANGEROUS | LIQUID | 0 - 40° C | 8.0 | 8.0 | 8.0 | 8.0 |
| DANGEROUS | LIQUID | 150° C | 6.2 | 6.2 | 6.2 | 6.2 |
| DANGEROUS | GAS/VAPOR | 0 - 150° C | 0.9 | 0.5 | 0.5 | 0.5 |
| NOT DANGER. | LIQUID | 0 - 40° C | 8.0 | 8.0 | 8.0 | 8.0 |
| NOT DANGER. | LIQUID | 150° C | 6.2 | 6.2 | 6.2 | 6.2 |
| NOT DANGER. | GAS/VAPOR | 0 - 150° C | 3.6 | 2.3 | 1.7 | 1.3 |
| INTEGRITY TEST | | | 6.4 | 4.2 | 3.1 | 2.5 |

The future filtration



Via Caduti del Lavoro
43043 Borgo Val di Taro (Parma) – Italy
Tel. +39-0525-920108 Fax +39-0525-90177
E.mail info@everblue.it Web site www.everblue.it
C.F./P.I. IT 02177630346



| POS. | DESCRIPTION | MATERIAL | PART. NO. | Q.TY |
|------|-------------------------------------|------------|-----------|------|
| 1.1 | HOUSING BOWL 30" | AISI 316L | 1691 | 1 |
| 1.2 | HOUSING BOWL 40" | AISI 316L | 1692 | 1 |
| 2 | BOLT CLAMP M16 | AISI 316TI | 1812C | 7 |
| 3 | O-RING $\varnothing 7.00$ ID=393.10 | SILICONE * | 80018S | 1 |
| 4 | CARTRIDGES PLATE | AISI 316L | . | 1 |
| 5 | LEG | AISI 304 | 1578 | 3 |
| 6 | FOOT | AISI 304 | 1746 | 3 |
| 7 | CLAMP 3" | AISI 304 | 61154 | 2 |
| 8.1 | GASKET CLAMP 3" | PTFE | 80024P | 2 |
| 8.2 | O-RING $\varnothing 5.34$ ID=110.50 | SILICONE * | 80726S | 2 |
| 9 | INLET BEND | AISI 316L | . | 1 |
| 10 | OUTLET BEND | AISI 316L | . | 1 |
| 11 | PROTECTION PLATE | AISI 316L | 1651 | 1 |
| 12 | EXAGONAL NUT | AISI 316L | 80792 | 9 |
| 13 | TIE ROD 10" | AISI 316L | 1880 | 3 |
| | TIE ROD 20" | AISI 316L | 1546 | 3 |
| | TIE ROD 30" | AISI 316L | 1547 | 3 |
| | TIE ROD 40" | AISI 316L | 1548 | 3 |
| 14 | TIE ROD SCREW | AISI 316L | 80794 | 3 |

* SEE AVAILABLE MATERIALS
ON PRICE LIST

