



**Valvola di sfiato
in poliammide**

***Release valve in
polyamide***

VALVOLA DI SFIATO IN POLIAMMIDE Release valve in polyamide

EBV 100

INTRODUZIONE

Questa valvola è studiata per rimuovere facilmente l'aria presente nelle tubazioni, filtri bombole, o impianti dove la presenza indesiderata di aria può causare problemi.

La valvola garantisce le seguenti tre funzioni:

1 - Elimina l'aria dai tubi nella fase di riempimento, e quando l'acqua raggiunge la parte della valvola, il galleggiante chiude facendo tenuta sulla guarnizione dello scarico.

2 - La valvola assicura un controllo automatico continuo, eliminando ogni residuo di aria che raggiunge la valvola grazie all'apertura parziale o totale del galleggiante.

La pressione interna dell'acqua non pregiudica in alcun modo questa funzione.

3 - Previene il collasso delle tubazioni, perché, al diminuire della pressione, il galleggiante permette l'ingresso nella tubazione dell'aria esterna.

INTRODUCTION

This valve is designed to efficiently extract the air trapped in pipes, filters, tanks and other places where unwanted air might cause problems.

The valve performs three functions:

1 - It extracts the air from pipes as they fill, and when water reaches the inside of the valve, the float rises and seals the discharge outlet.

2 - It exerts continuous automatic control, eliminating any residual air pockets reaching the valve, as the float immediately drops, partly or totally opening the discharge outlet.

The internal water pressure does not prevent this function from being carried out.

3 - It prevents pipe collapse, because, at the least decrease in pressure, the float drops, opening the seal and allowing outside air to enter the pipe.

CARATTERISTICHE - Features

Modello - Model	EBV 100
Tipo - Type	Valvola di sfiato aria automatica - Automatic air release valve

MATERIALE - Material

Corpo e base - Body and base	Poliammide rinforzato vetroresina (tratt. anti-UV) - Fiberglass reinforced polyamide (treated against UV)
------------------------------	---

CARATTERISTICHE - Characteristics

Aria eliminata - Air released	41,2 CFM
Pressione lavoro - Working pressure	170 psi
Temperatura - Temperature	Max 80°C
Attacco - Connection	1" M BSP

Codice Code	Descrizione Description	Misura Size	Pressione max Max pressure bar (psi)	Kg	€/cad. ¹ €/each
EBV100PA033	VALVOLA EBV 100 1"	1"	10 (170)	0,3	

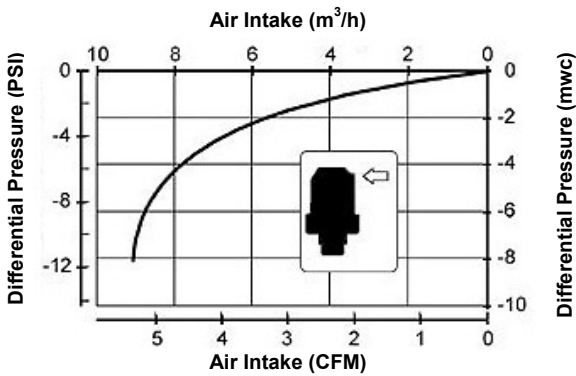
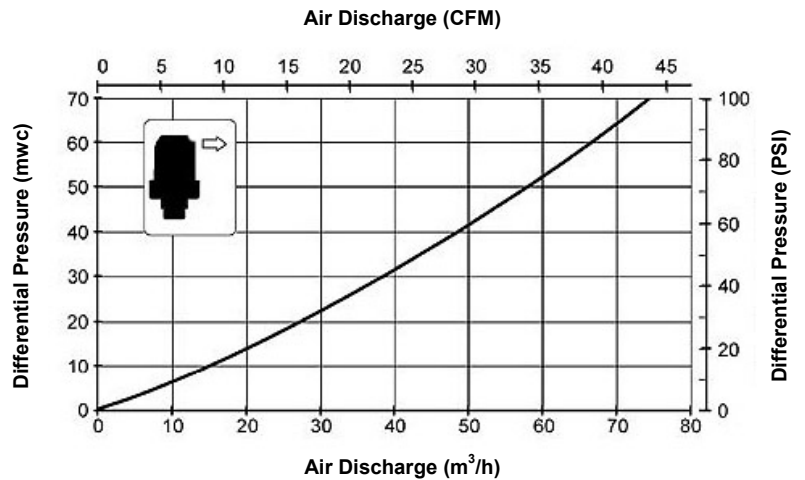


VALVOLA DI SFIATO IN POLIAMMIDE
Release valve in polyamide

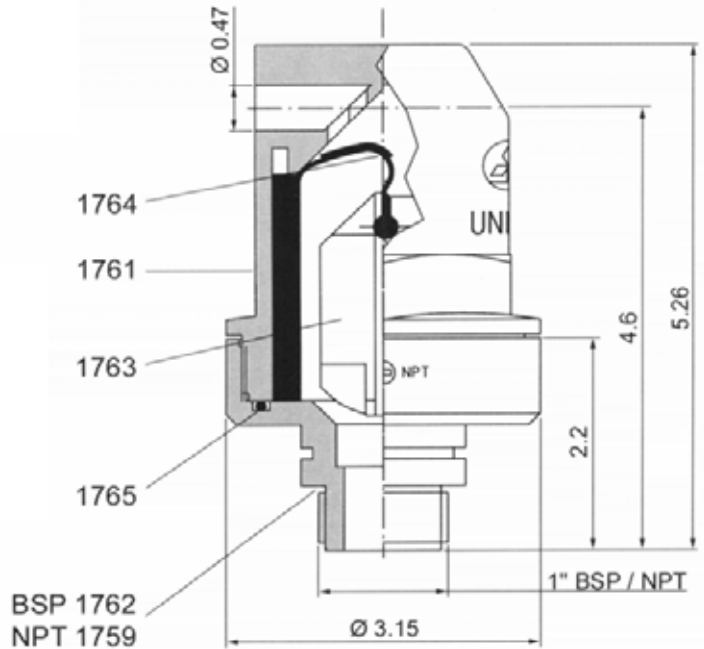
Measuring units

- M³/h = cubic meters per hour
- Mwc = meters of water column
- CFM = Cubic Feet per Minute
- PSI = Pounds per Square Inch

- 1 CFM = 1.699 m³/h
- 1 PSI = 0.70307 mwc



Code	Description	Material
1759	1" NPT base	Polyamide+Fiber.Glass
1762	1" BSP base	Polyamide+Fiber.Glass
1761	Body	Polyamide+Fiber.Glass
1763	Float	Expanded Polypropylene
1764	Main seal	EPDM
1765	O-Ring	NBR



Measures in inches.
 (1 inch=25.4 millimeters)
 Weight=0.6358 lb.
 (1 lb=453.6 gr.)

WARRANTY AND EXCLUSIONS

The manufacturer guarantees its products for direct customer against any defects in materials or manufacture for a period of two years from the original date of purchase, as long as the products have been used under normal operating conditions. The manufacturer assumes no responsibility for installation, removal or repairs carried out by unauthorized personnel. The manufacturer's liability under this warranty is limited to the replacement or repair of defective parts and the manufacturer does not accept responsibility for damages to crops or any other consequential damages deriving from defects in the products covered by this warranty.

THE PRESENT WARRANTY SUPERCEDES AND VOIDS ALL OTHER WARRANTIES, WHETHER EXPRESS OR IMPLIED, INCLUDING THOSE OF MERCHANTABILITY AND FITNESS FOR PARTICULAR PURPOSES OR ANY OTHER ATTRIBUTING LIABILITY TO THE MANUFACTURER.

No agent, employee or representative of the manufacturer is authorized to void, alter or add to the conditions contained in this warranty, nor to take responsibility for, nor to make guarantees not specified herein.



Everblue s.r.l.

Via Caduti del lavoro
43043 Borgo Val di Taro (Parma) - Italy
Tel. +39-0525-920108 - Fax +39-0525-90177
E-mail: info@everblue.it - www.everblue.it