

STYLE 60 PVC

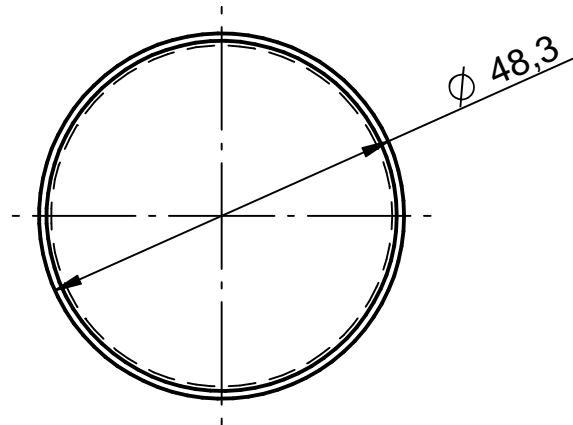
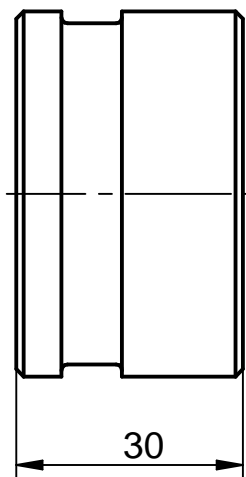
CARATTERISTICHE - FEATURES

Tipo - Type	Tappi Victualic Victaulic Plug
Materiale - Material	PVC (polivinilcloruro) PVC (polyvinyl chloride)



Codice Code	Descrizione Description	Misura Size	Ø est. Ext. Ø mm
VIC060PVC048	S/60 VICTAULIC PLUG 048 PVC	1"1/2	48,3
VIC060PVC060	S/60 VICTAULIC PLUG 060 PVC	2"	60,3
VIC060PVC089	S/60 VICTAULIC PLUG 089 PVC	3"	88,9

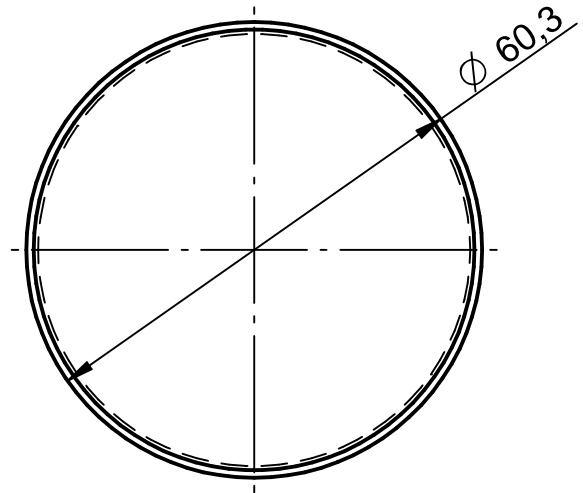
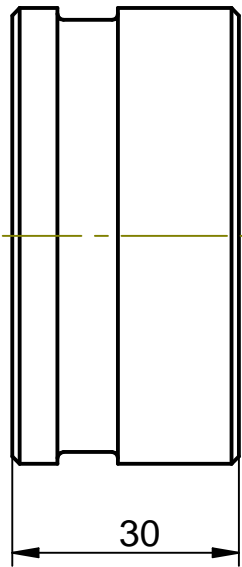
STYLE 60 PVC







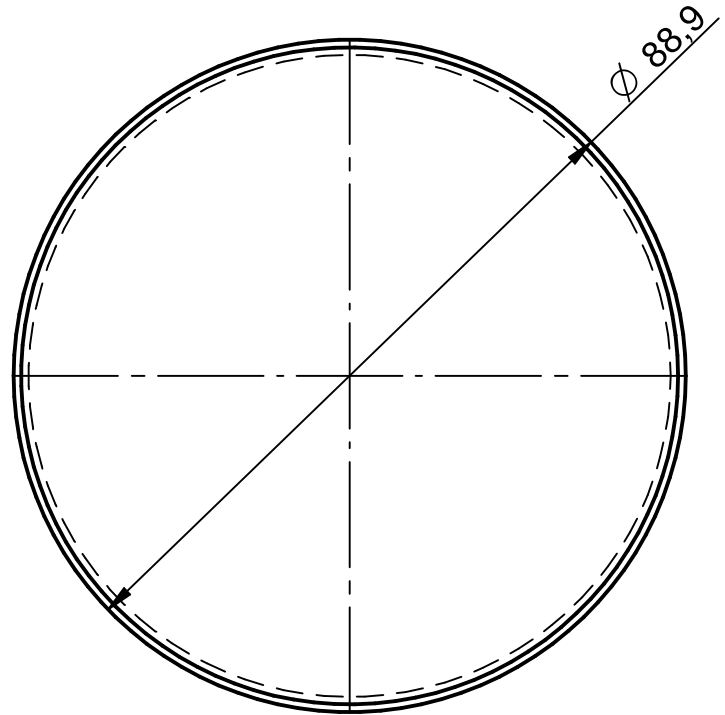
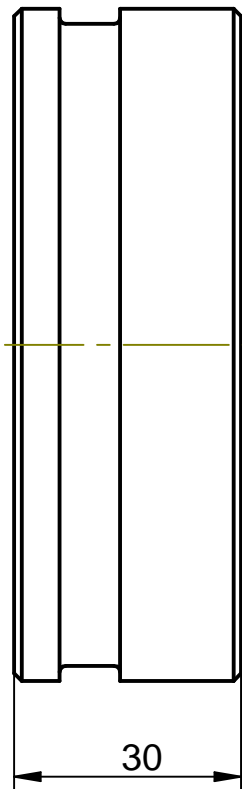
Materiale: PVC

POS.	CODE	DENOMINATION			QUANTITY	MATERIALS	
ALL DIMENSIONS MILLIMETERS	ALL SURFACES FINISH ROUGHNESS IN Ra μm	GENERAL TOLLERANCES UNLESS OTHERWISE SPECIFIED UNI-EN 22768-mK UNI-EN 22768-c			NOT QUOTED FILLET R=0.3 CHAMFER 0.3x45°		
SIMILAR TO	CRITICAL INDEX	WORK ORDER	JOB	QUANTITY	DRAWN DATE 17/01/2017 BY Tecnico	APPROVED DATE _ BY _	
DENOMINATION S/60 VICTAULIC PLUG 048 PVC					CODE VIC060PVC048		REV.
				MODIFICATION		DATE	BY
				BARCODE		SCALE 1:1	PROJECTION 
<small>EVERBLUE srl. www.everblue.it info@everblue.it REPRODUCTION IS PROHIBITED - ALL RIGHTS RESERVED ACCORDING TO THE LAW</small>							





Materiale : PVC

POS.	CODE	DENOMINATION			QUANTITY	MATERIALS	
ALL DIMENSIONS MILLIMETERS	ALL SURFACES FINISH ROUGHNESS IN Ra μm	GENERAL TOLLERANCES UNLESS OTHERWISE SPECIFIED UNI-EN 22768-mK UNI-EN 22768-c			NOT QUOTED FILLET R=0.3 CHAMFER 0.3x45°		
SIMILAR TO	CRITICAL INDEX	WORK ORDER	JOB	QUANTITY	DRAWN DATE 09/05/2017 BY Tecnico	APPROVED DATE _ BY _	
DENOMINATION S/60 VICTAULIC PLUG 060 PVC					CODE VIC060PVC060		REV.
				MODIFICATION		DATE	BY
				BARCODE		SCALE 1:1	PROJECTION 
<small>EVERBLUE srl. www.everblue.it info@everblue.it REPRODUCTION IS PROHIBITED - ALL RIGHTS RESERVED ACCORDING TO THE LAW</small>							



Materiale : PVC

POS.	CODE	DENOMINATION			QUANTITY	MATERIALS	
ALL DIMENSIONS MILLIMETERS	ALL SURFACES FINISH ROUGHNESS IN Ra μm	GENERAL TOLLERANCES UNLESS OTHERWISE SPECIFIED UNI-EN 22768-mK UNI-EN 22768-c			NOT QUOTED FILLET R=0.3 CHAMFER 0.3x45°		
SIMILAR TO	CRITICAL INDEX	WORK ORDER	JOB	QUANTITY	DRAWN DATE 10/05/2017 BY Tecnico	APPROVED DATE _ BY _	
DENOMINATION S/60 VICTAULIC PLUG 089 PVC					CODE VIC060PVC089		REV.
				MODIFICATION		DATE	BY
				BARCODE		SCALE 1:1	PROJECTION 
<small>EVERBLUE srl. www.everblue.it info@everblue.it REPRODUCTION IS PROHIBITED - ALL RIGHTS RESERVED ACCORDING TO THE LAW</small>							