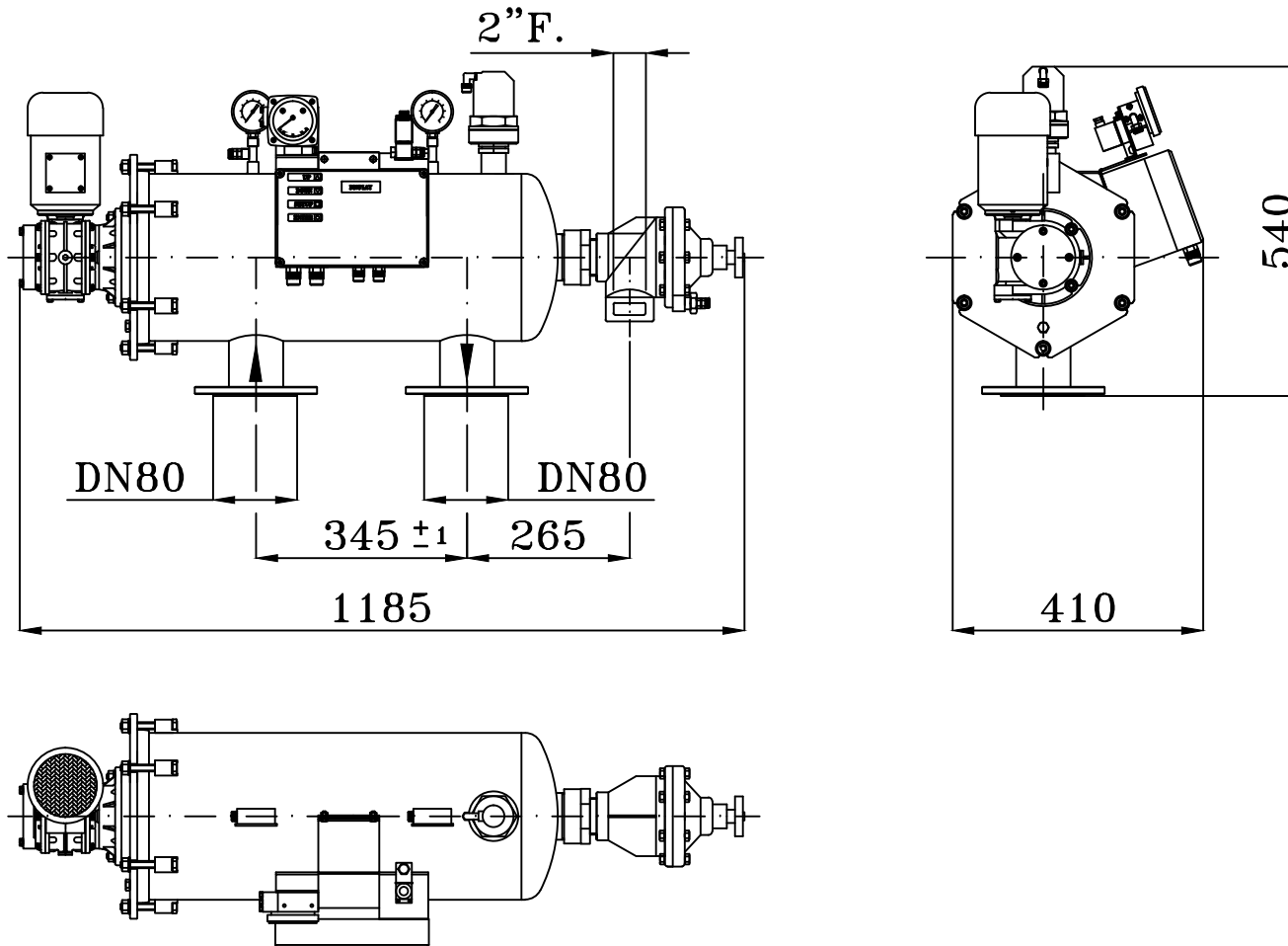


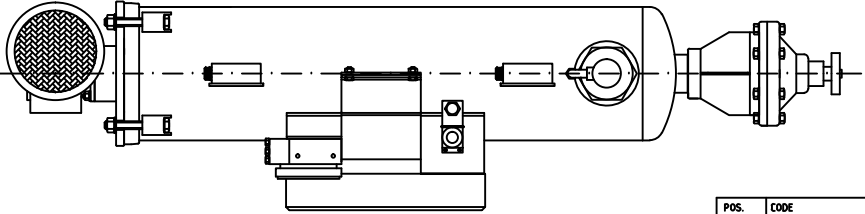
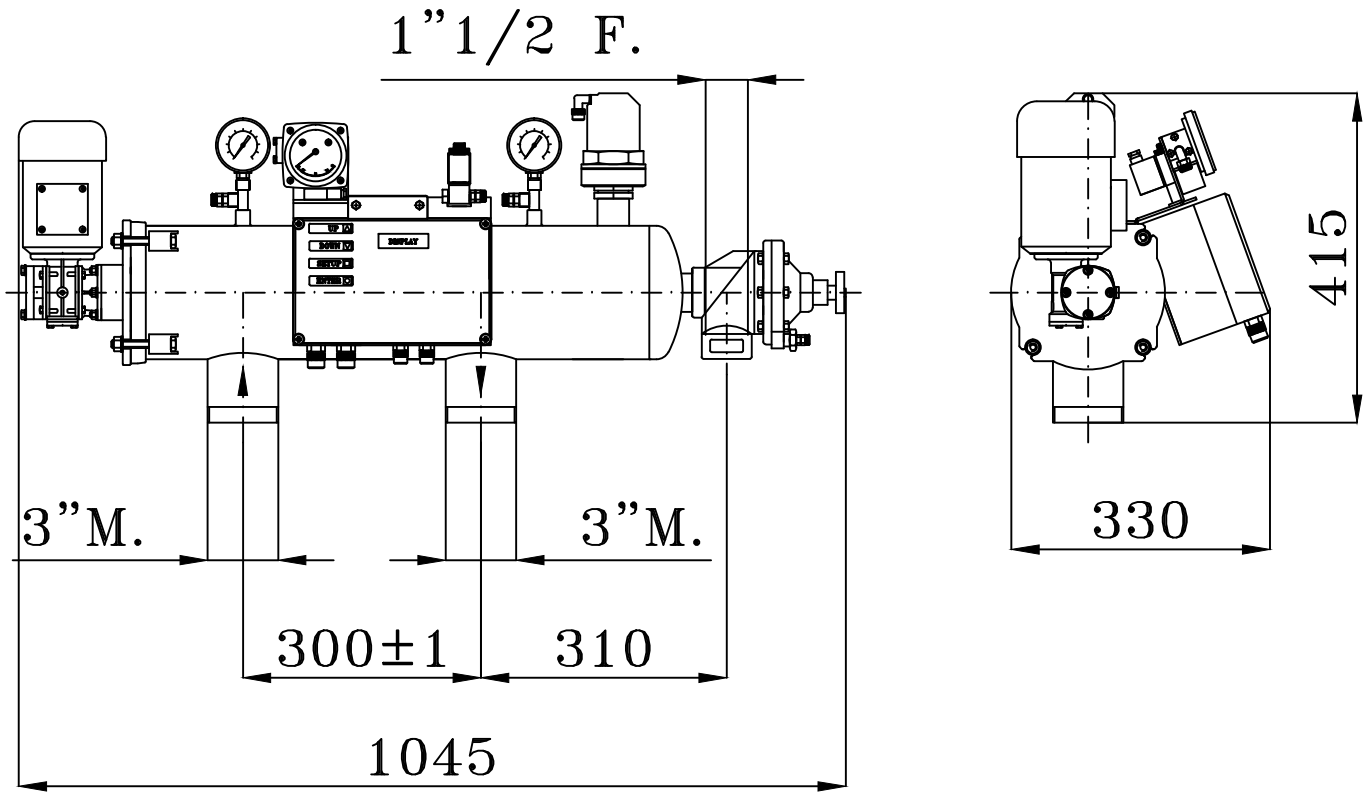




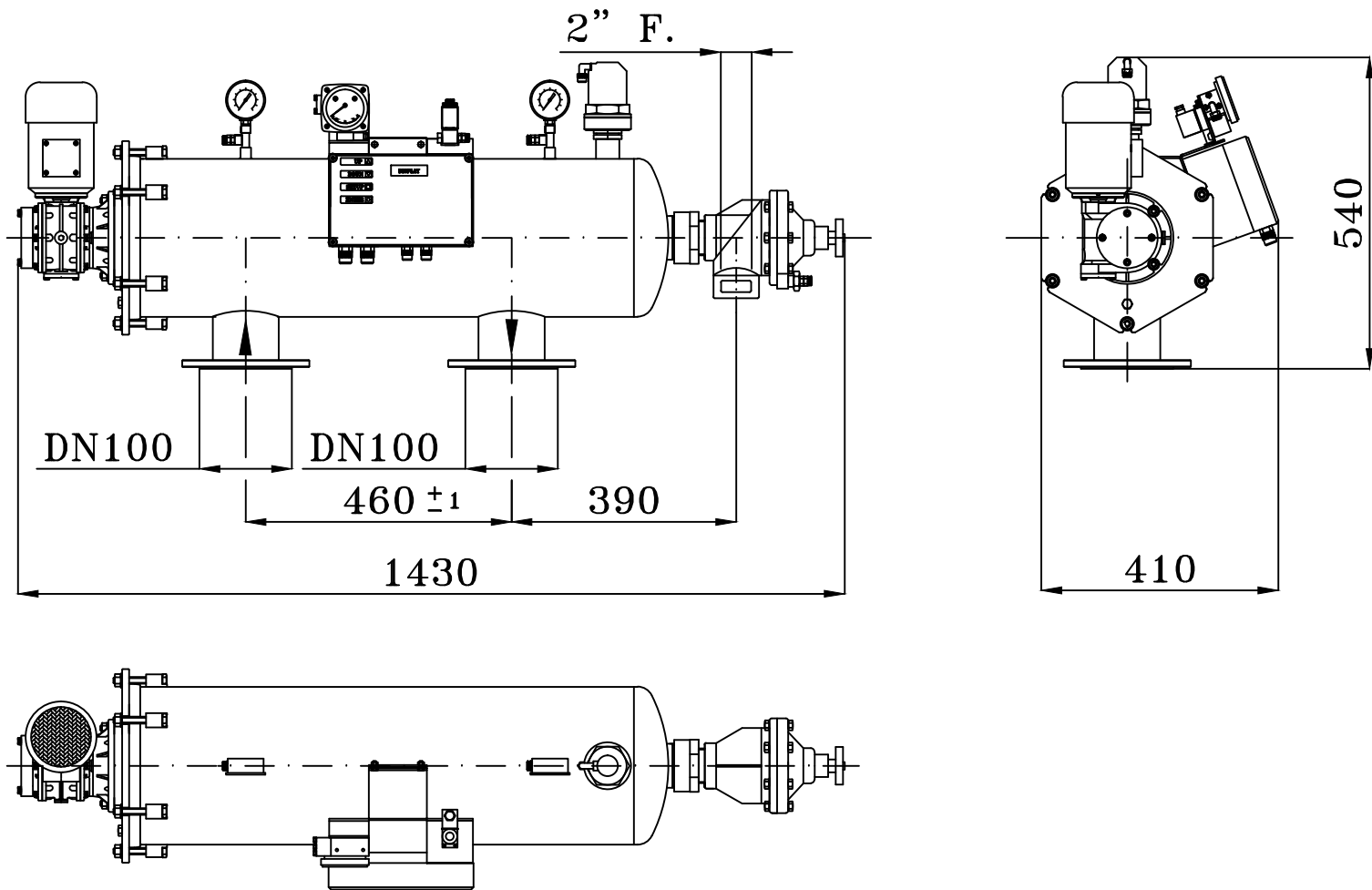
POS.	CODE	DENOMINATION		QUANTITY	MATERIALS	
ALL DIMENSIONS MILLIMETERS		ALL SURFACES FINISH ROUGHNESS IN Ra μm	GENERAL TOLLERANCES UNLESS OTHERWISE SPECIFIED UNI-EN 22768-mK UNI-EN 22768-c		NOT QUOTED FILLET R=0.3 CHAMFER 0.3x45°	
SIMILAR TO	CRITICAL INDEX	WORK ORDER	JOB	QUANTITY	DRAWN DATE 09/04/2013 BY Gonzalo	APPROVED DATE 15 BY 15
DENOMINATION INGOMBRI FILTRO F2000				CODE F2000316200MT-1		REV.
			MODIFICATION		DATE	BY
REPRODUCTION IS PROHIBITED - ALL RIGHTS RESERVED ACCORDING TO THE LA					SCALE 1:5	PROJECTION





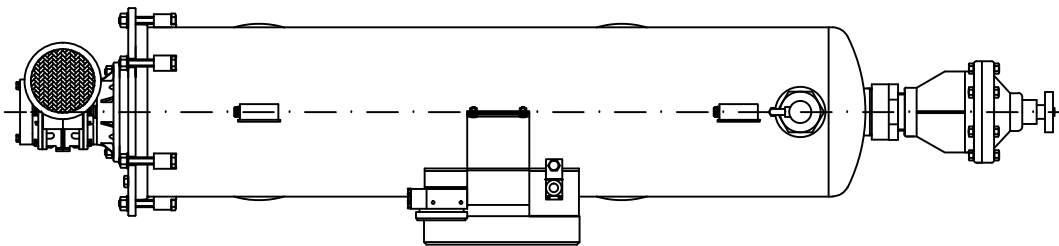
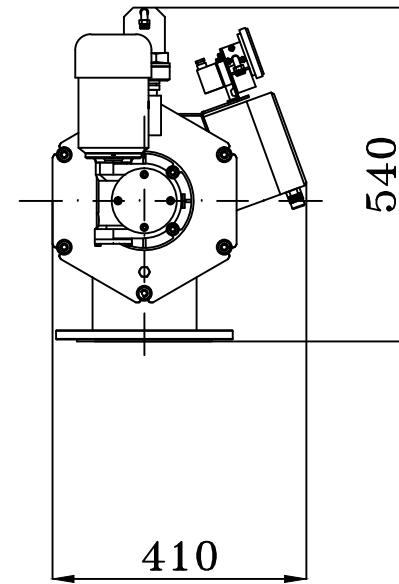
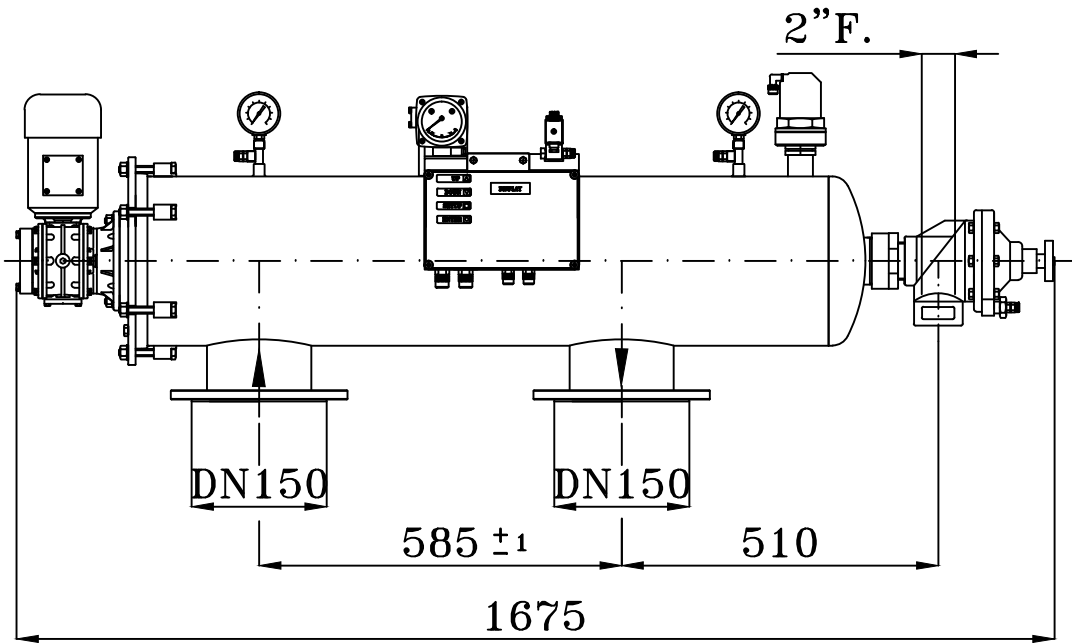
POS.	CODE	DENOMINATION		QUANTITY	MATERIALS
ALL DIMENSIONS MILLIMETERS		ALL SURFACES FINISH ROUGHNESS IN Ra µm	GENERAL TOLERANCES UNLESS OTHERWISE SPECIFIED UNI-EN 22768-mK UNI-EN 22768-c	NOT QUOTED FILLET R=0.3 CHAMFER 0.3x45°	
SIMILAR TO	CRITICAL INDEX	WORK ORDER	JOB	QUANTITY	DRAWN DATE 09/04/2013 BY Gonzalo
APPROVED DATE 15 BY 15				REV.	
DENOMINATION INGOMBRI FILTRO F2000				CODE F2000316300FM- 1	
			MODIFICATION	DATE	BY
REPRODUCTION IS PROHIBITED - ALL RIGHTS RESERVED ACCORDING TO THE LAW				SCALE 1:5	PROJECTION 




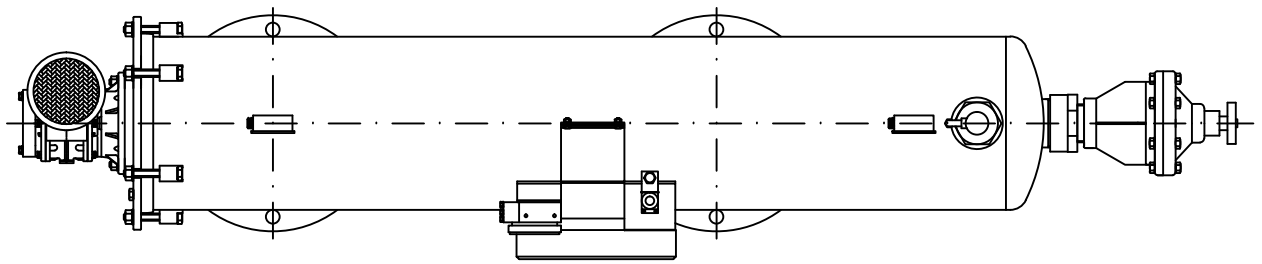
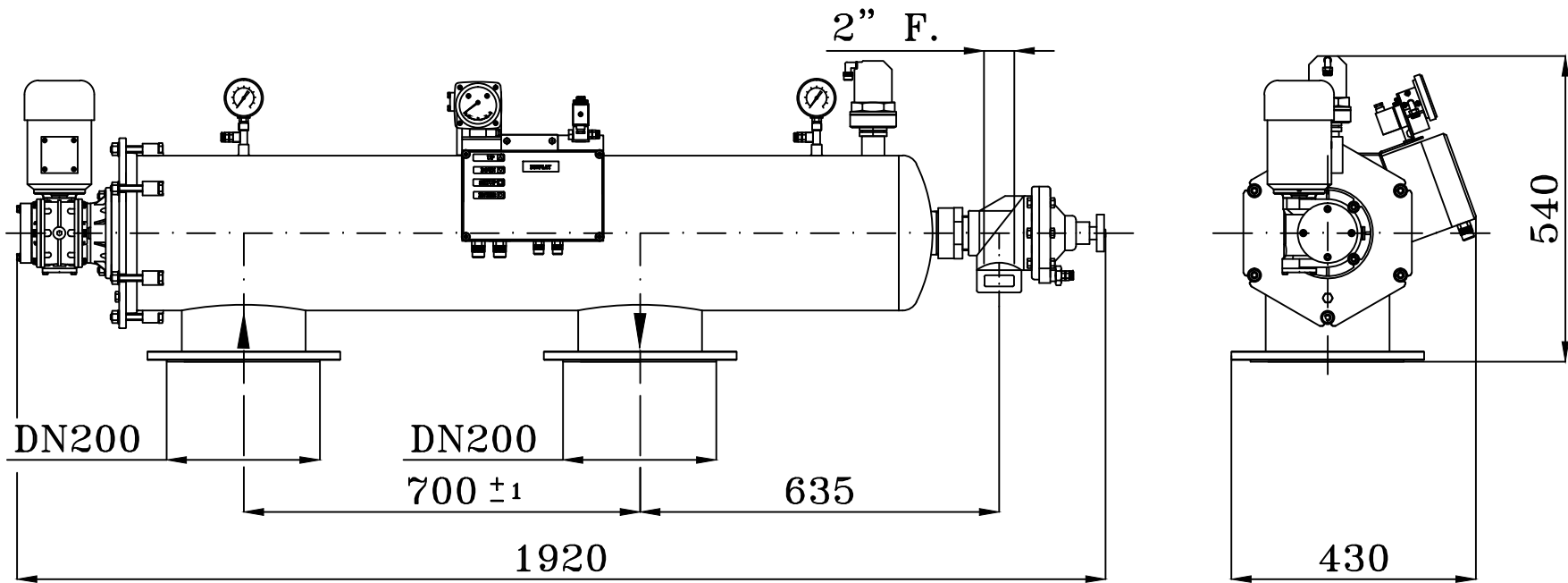
POS.	CODE	DENOMINATION		QUANTITY	MATERIALS
ALL DIMENSIONS MILLIMETERS	ALL SURFACES FINISH ROUGHNESS IN Ra $\mu\text{m}$	GENERAL TOLERANCES UNLESS OTHERWISE SPECIFIED UNI-EN 22768-mK UNI-EN 22768-c		NOT QUOTED FILLET R=0.3 CHAMFER 0.3x45°	
SIMILAR TO	CRITICAL INDEX	WORK ORDER	JOB	QUANTITY	DRAWN DATE 09/04/2013 BY Gonzalo
DENOMINATION INGOMBRI FILTRO F2000				CODE F2000316300MT-1	APPROVED DATE 15 BY 15
			MODIFICATION	DATE	BY
REPRODUCTION IS PROHIBITED - ALL RIGHTS RESERVED ACCORDING TO THE LAW				SCALE 1:5	PROJECTION 




POS.	CODE	DENOMINATION		QUANTITY	MATERIALS
ALL DIMENSIONS MILLIMETERS	ALL SURFACES FINISH ROUGHNESS IN Ra µm	GENERAL TOLERANCES UNLESS OTHERWISE SPECIFIED UNI-EN 22768-mK UNI-EN 22768-c		NOT QUOTED FILLET R=0.3 CHAMFER 0.3x45°	
SIMILAR TO	CRITICAL INDEX	WORK ORDER	JOB	QUANTITY	DRAWN DATE 09/04/2013 BY Gonzalo
APPROVED DATE 15 BY 15				REV.	
DENOMINATION INGOMBRI FILTRO F2000				CODE F2000316400FM- 1	
			MODIFICATION	DATE	BY
REPRODUCTION IS PROHIBITED - ALL RIGHTS RESERVED ACCORDING TO THE LAW				SCALE 1:5	PROJECTION 



POS.	CODE	DENOMINATION		QUANTITY	MATERIALS
ALL DIMENSIONS MILLIMETERS		ALL SURFACES FINISH ROUGHNESS IN Ra $\mu\text{m}$	GENERAL TOLERANCES UNLESS OTHERWISE SPECIFIED UNI-EN 22768-mK UNI-EN 22768-c	NOT QUOTED FILLET R=0.3 CHAMFER 0.3x45°	
SIMILAR TO	CRITICAL INDEX	WORK ORDER	JOB	QUANTITY	DRAWN DATE 09/04/2013 BY Gonzalo
DENOMINATION INGOMBRI FILTRO F2000				CODE F2000316600FM-1	APPROVED DATE 15 BY 15
			MODIFICATION	DATE	BY
REPRODUCTION IS PROHIBITED - ALL RIGHTS RESERVED ACCORDING TO THE LAW				SCALE 1:5	PROJECTION



POS.	CODE	DENOMINATION		QUANTITY	MATERIALS
ALL DIMENSIONS MILLIMETERS		ALL SURFACES FINISH ROUGHNESS IN Ra $\mu\text{m}$	GENERAL TOLERANCES UNLESS OTHERWISE SPECIFIED UNI-EN 22768-mK UNI-EN 22768-c		NOT QUOTED FILLET R=0.3 CHAMFER 0.3x45°
SIMILAR TO	CRITICAL INDEX	WORK ORDER	JOB	QUANTITY	DRAWN DATE 09/04/2013 BY Gonzalo
DENOMINATION INGOMBRI FILTRO F2000				CODE F2000316800FM- 1	APPROVED DATE 15 BY 15
		MODIFICATION		DATE	BY
REPRODUCTION IS PROHIBITED - ALL RIGHTS RESERVED ACCORDING TO THE LAW				SCALE 1:5	PROJECTION 