
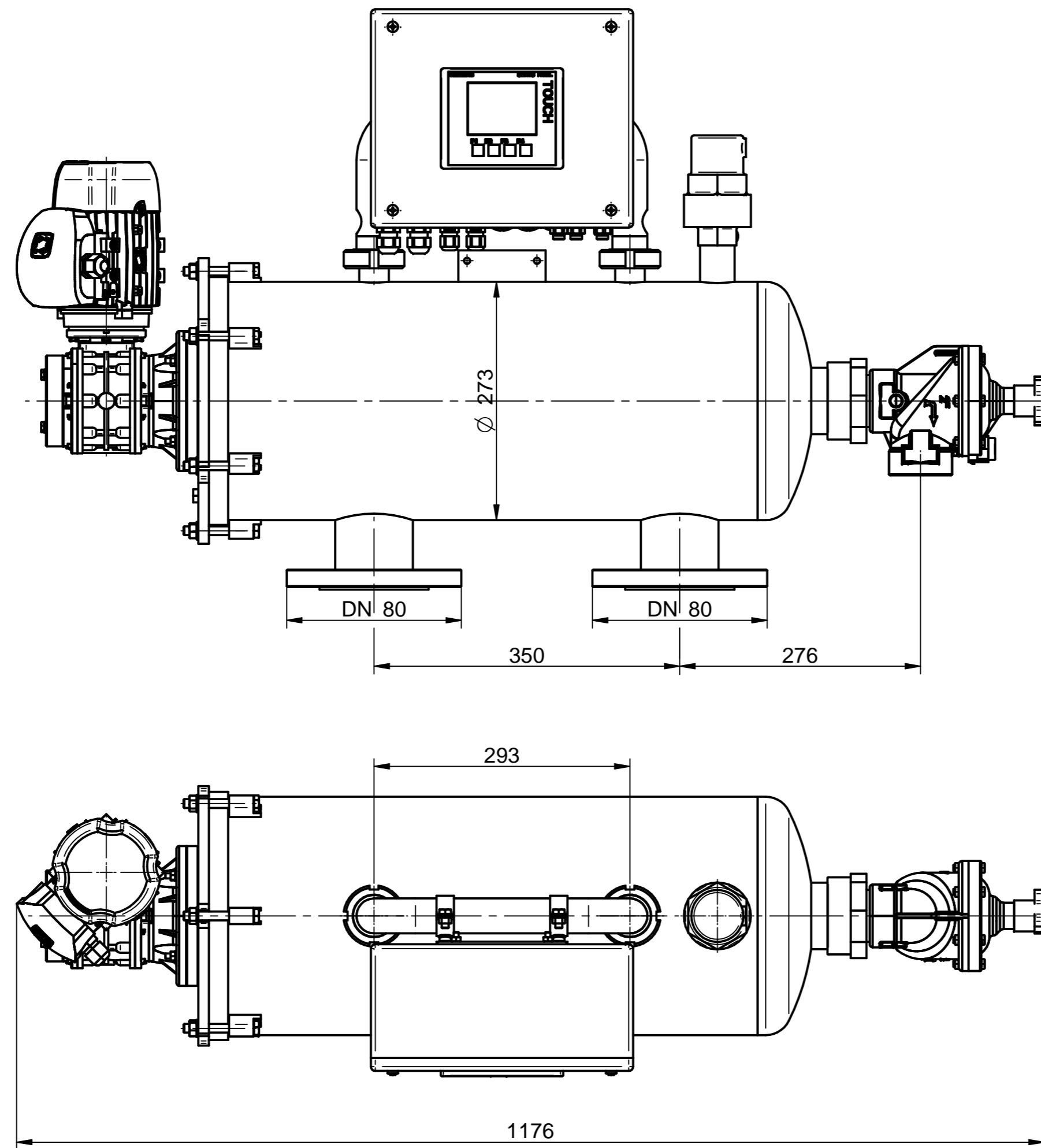


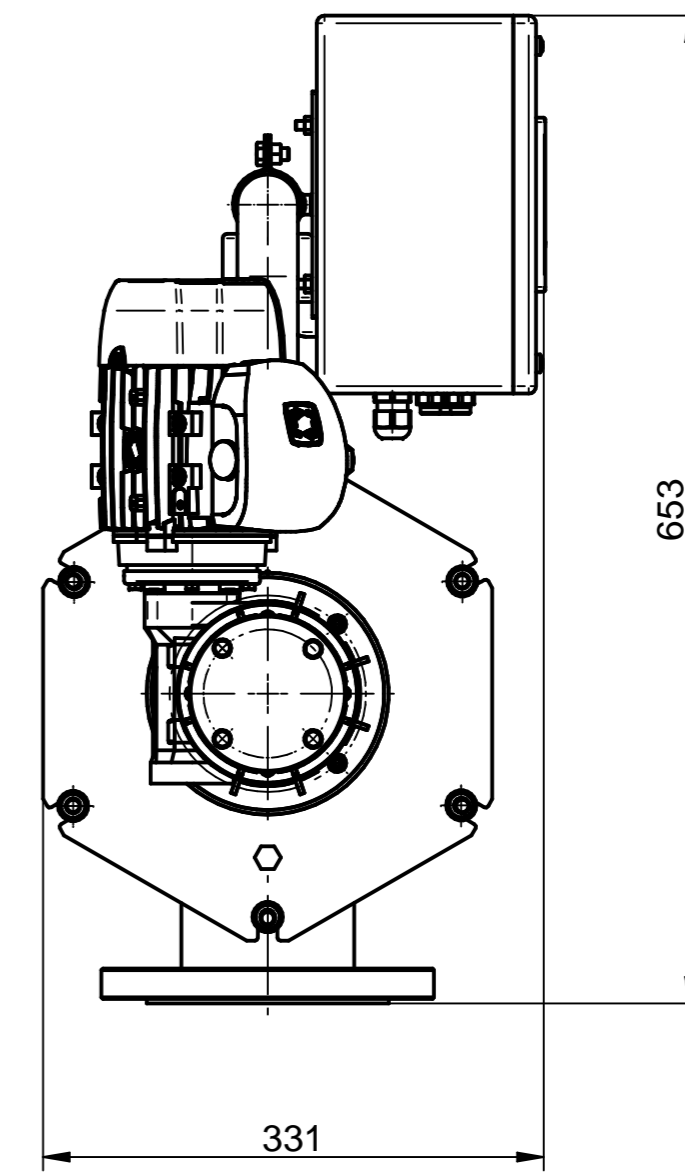
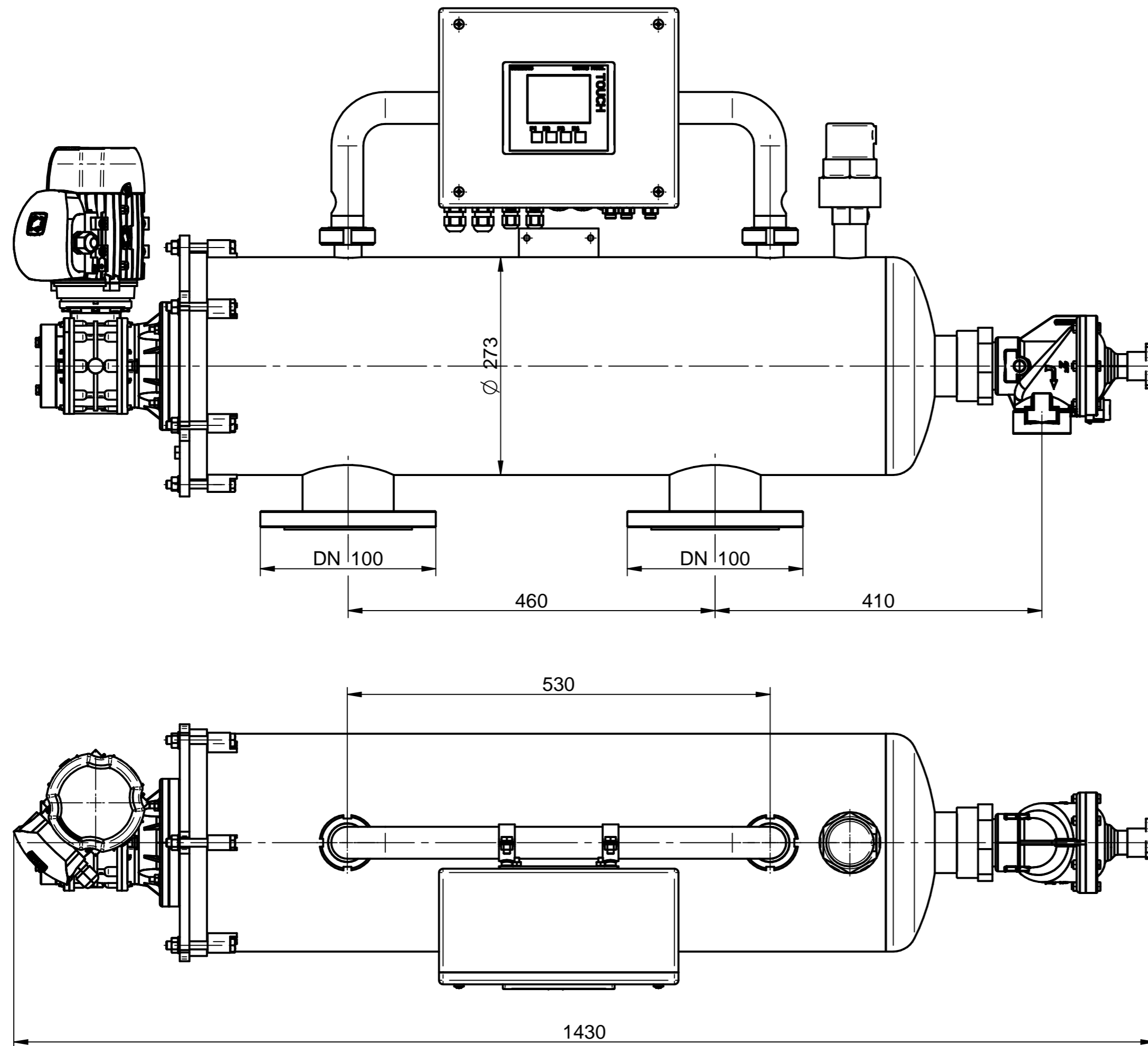




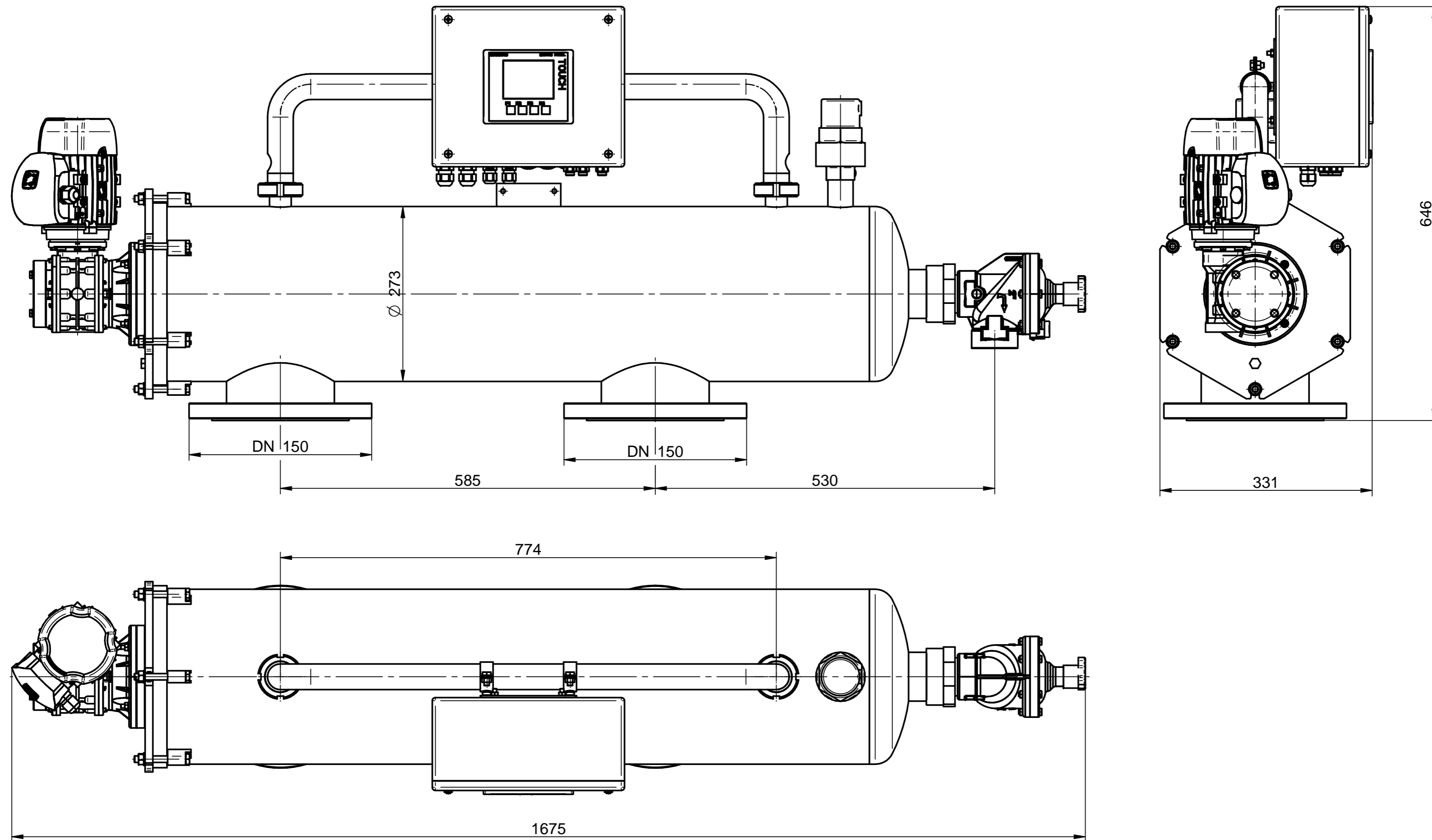
POS.	CODE	DENOMINATION			QUANTITY	MATERIALS
ALL DIMENSIONS MILLIMETERS	ALL SURFACES FINISH ROUGHNESS IN Ra μ m	GENERAL TOLLERANCES UNLESS OTHERWISE SPECIFIED UNI-EN 22768-mK UNI-EN 22768-c			NOT QUOTED FILLET R=0.3 CHAMFER 0.3x45°	
SIMILAR TO	CRITICAL INDEX	WORK ORDER	JOB	QUANTITY	DRAWN DATE 07/02/2017 BY Tecnico	APPROVED DATE - BY -
DENOMINATION FILTRO F2000 50/10 AISI 316 IN/OUT DN50					CODE F2000PLC316200FF_	REV.
				MODIFICATION		DATE
				DATE		BY
REPRODUCTION IS PROHIBITED - ALL RIGHTS RESERVED ACCORDING TO THE LAW					SCALE 1:5	PROJECTION




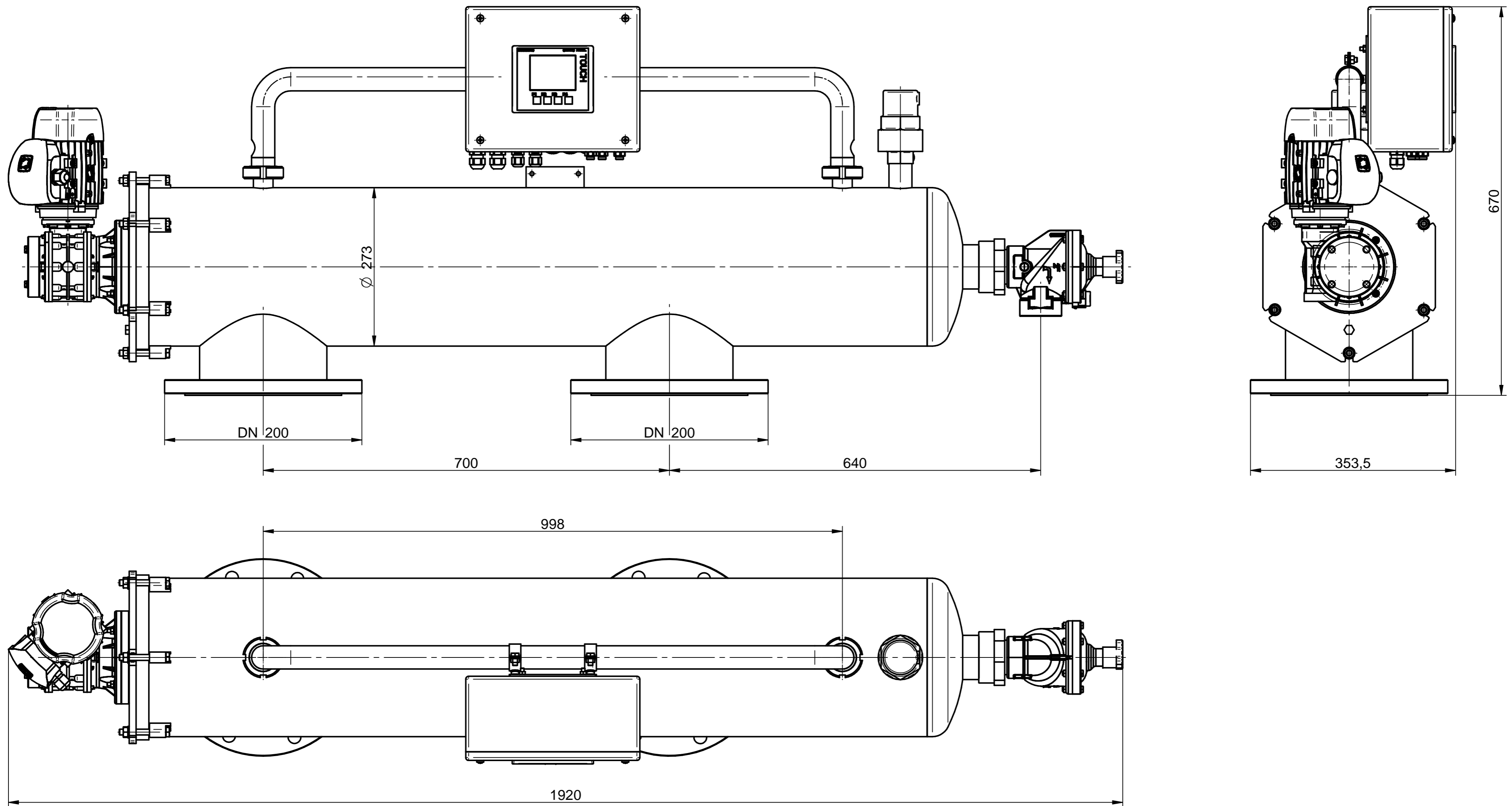
POS.	CODE	DENOMINATION			QUANTITY	MATERIALS	
ALL DIMENSIONS MILLIMETERS	ALL SURFACES FINISH ROUGHNESS IN Ra μm	GENERAL TOLLERANCES UNLESS OTHERWISE SPECIFIED UNI-EN 22768-mk UNI-EN 22768-c			NOT QUOTED FILLET R=0.3 CHAMFER 0.3x45°		
SIMILAR TO	CRITICAL INDEX	WORK ORDER	JOB	QUANTITY	DRAWN DATE 24/01/2017 BY Tecnico	APPROVED DATE - BY -	
DENOMINATION					CODE	REV.	
FILTRO F2000PLC AISI 316 IN/OUT DN 80					F2000PLC316300FF_ _ _ _		
				MODIFICATION		DATE	BY
				BARCODE		SCALE	PROJECTION
REPRODUCTION IS PROHIBITED - ALL RIGHTS RESERVED ACCORDING TO THE LAW					1:5		




POS.	CODE	DENOMINATION			QUANTITY	MATERIALS	
ALL DIMENSIONS MILLIMETERS	ALL SURFACES FINISH ROUGHNESS IN Ra μm	GENERAL TOLLERANCES UNLESS OTHERWISE SPECIFIED UNI-EN 22768-mk UNI-EN 22768-c			NOT QUOTED FILLET R=0.3 CHAMFER 0.3x45°		
SIMILAR TO	CRITICAL INDEX	WORK ORDER	JOB	QUANTITY	DRAWN DATE 20/01/2017 BY Tecnico	APPROVED DATE - BY -	
DENOMINATION					CODE	REV.	
FILTRO F2000PLC AISI 316 IN/OUT DN 100					F2000PLC316400FF_		
				MODIFICATION		DATE	BY
				BARCODE		SCALE	PROJECTION
REPRODUCTION IS PROHIBITED - ALL RIGHTS RESERVED ACCORDING TO THE LAW					1:5		



POS.	CODE	DENOMINATION			QUANTITY	MATERIALS
ALL DIMENSIONS MILLIMETERS	ALL SURFACES FINISH ROUGHNESS IN Ra μm	GENERAL TOLLERANCES UNLESS OTHERWISE SPECIFIED UNI-EN 22768-mk UNI-EN 22768-c			NOT QUOTED FILLET R=0.3 CHAMFER 0.3x45°	
SIMILAR TO	CRITICAL INDEX	WORK ORDER	JOB	QUANTITY	DRAWN DATE 23/01/2017 BY Tecnico	APPROVED DATE - BY -
DENOMINATION					CODE	REV.
FILTRO F2000PLC AISI 316 IN/OUT DN150					F2000PLC316600FF_	
				MODIFICATION		DATE BY
<small>VERBALE: 041 www.everblue.it info@everblue.it</small> <small>REPRODUCTION IS PROHIBITED - ALL RIGHTS RESERVED ACCORDING TO THE LAW</small>				BARCODE		SCALE 1:5 PROJECTION



POS.	CODE	DENOMINATION			QUANTITY	MATERIALS
ALL DIMENSIONS MILLIMETERS	ALL SURFACES FINISH ROUGHNESS IN Ra μm	GENERAL TOLLERANCES UNLESS OTHERWISE SPECIFIED UNI-EN 22768-mk UNI-EN 22768-c			NOT QUOTED FILLET R=0.3 CHAMFER 0.3x45°	
SIMILAR TO	CRITICAL INDEX	WORK ORDER	JOB	QUANTITY	DRAWN DATE 23/01/2017 BY Tecnico	APPROVED DATE - BY -
DENOMINATION FILTRO F2000PLC AISI 316 IN/OUT DN 200					CODE F2000PLC316800FF_ _ _ _	REV.
				MODIFICATION		DATE
				BARCODE		SCALE 1:5
<small>REPRODUCTION IS PROHIBITED - ALL RIGHTS RESERVED ACCORDING TO THE LAW</small>						