
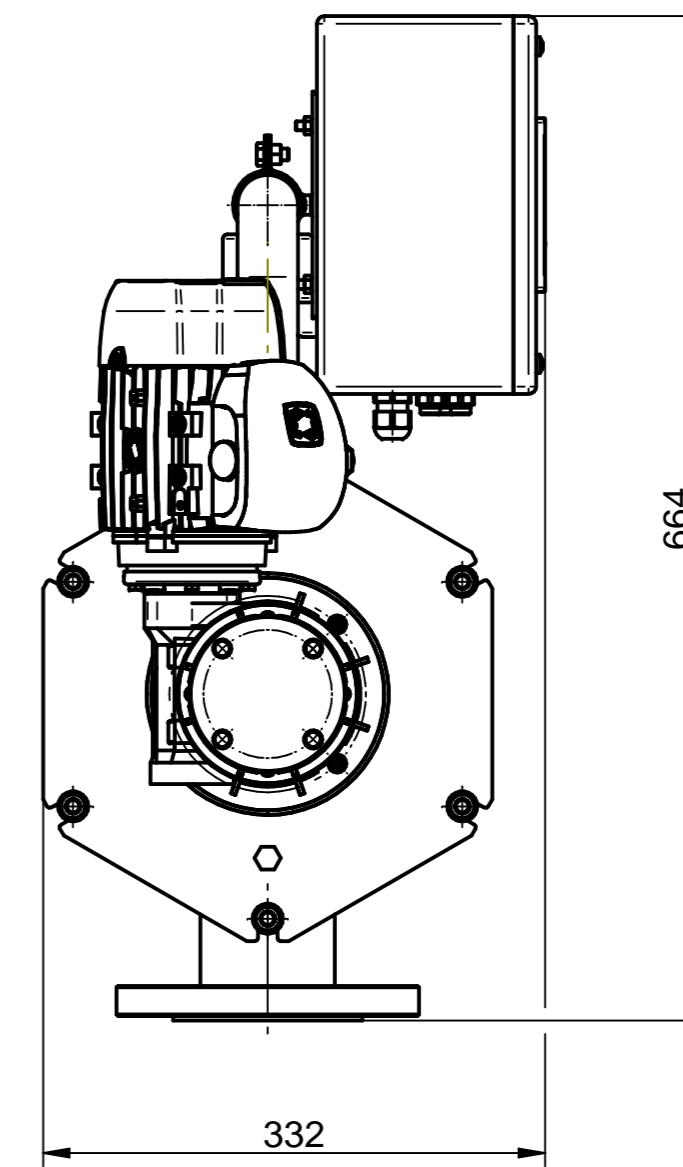
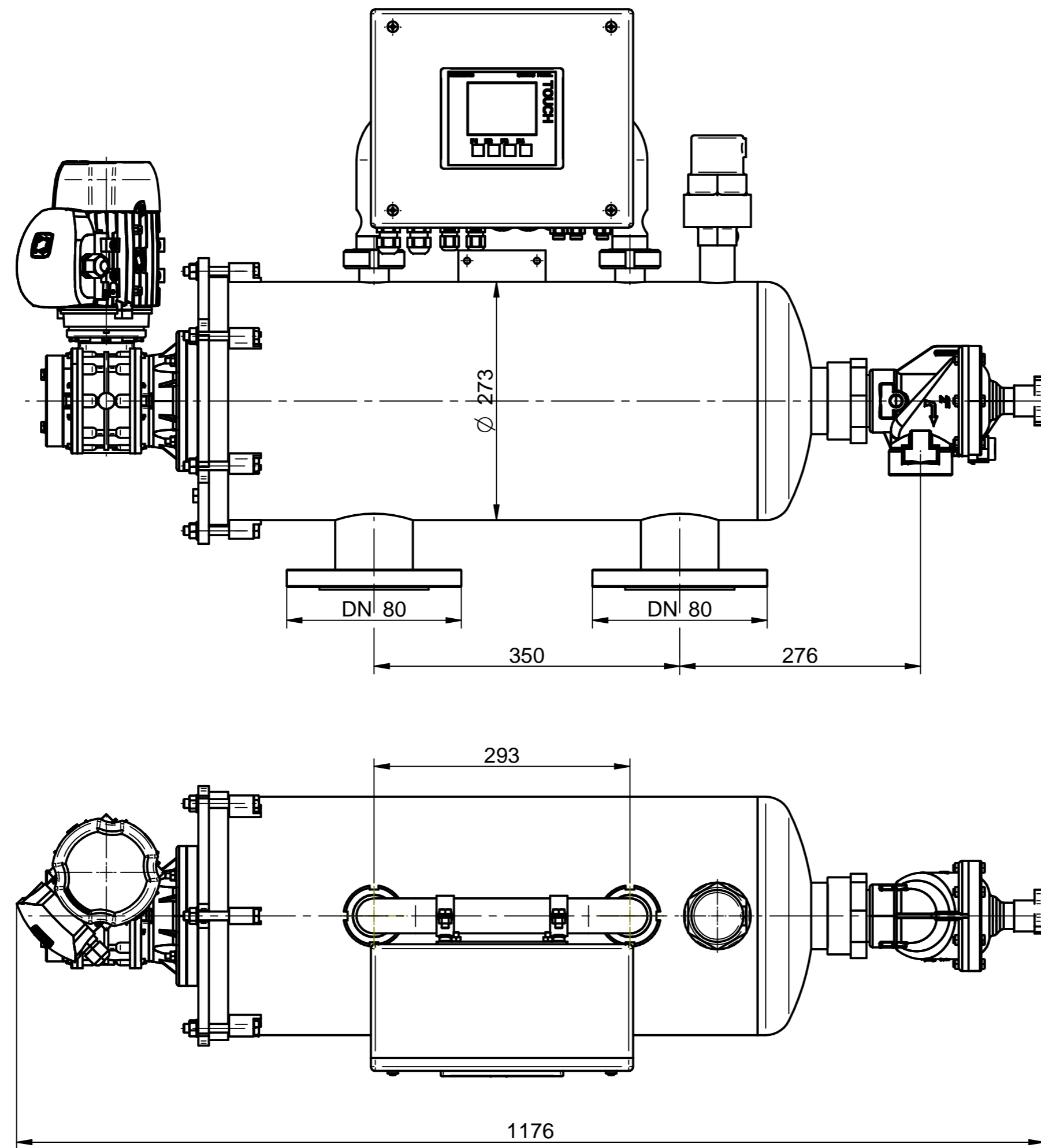


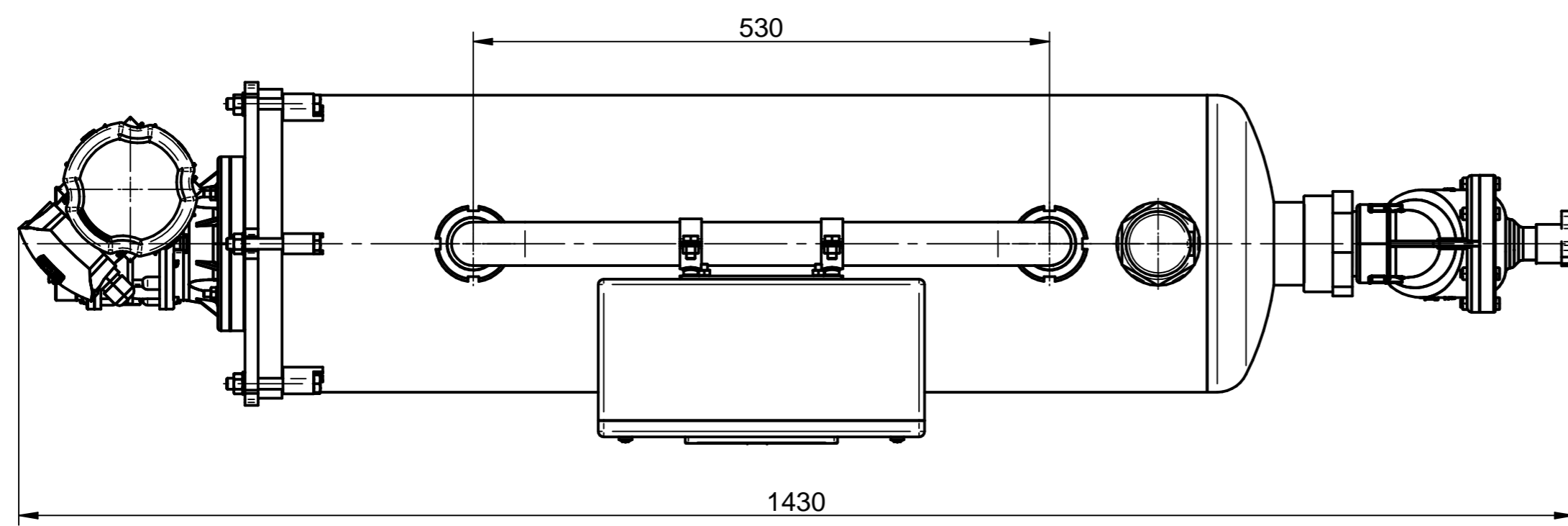
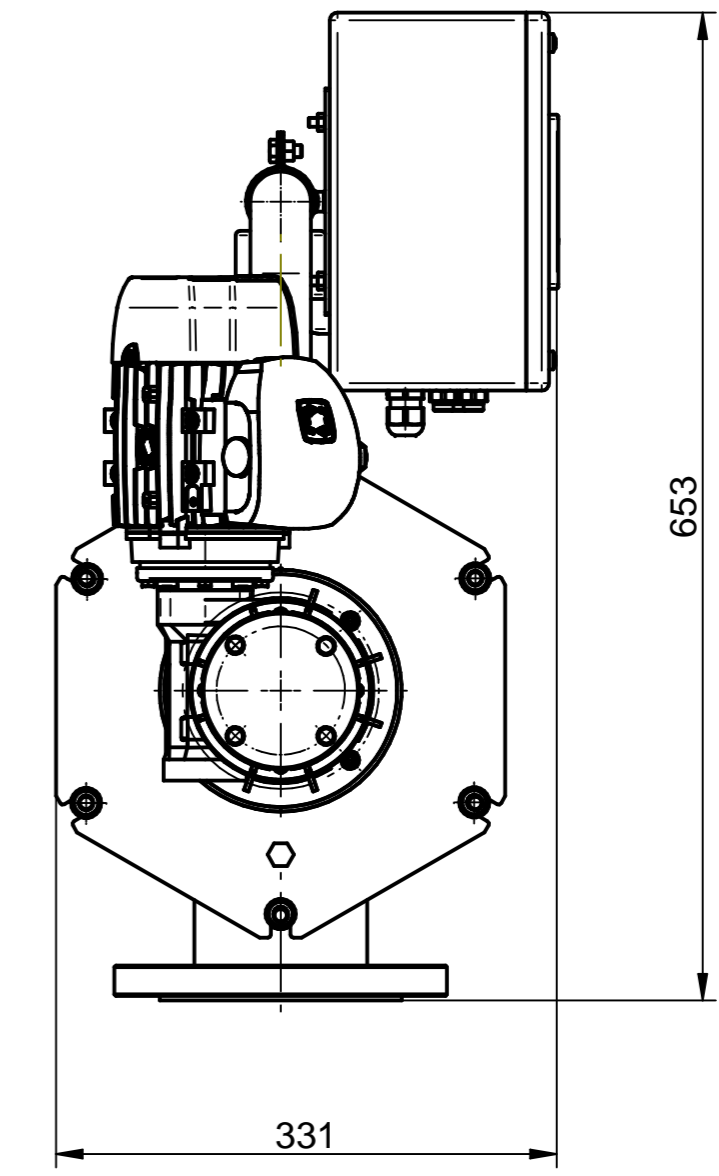
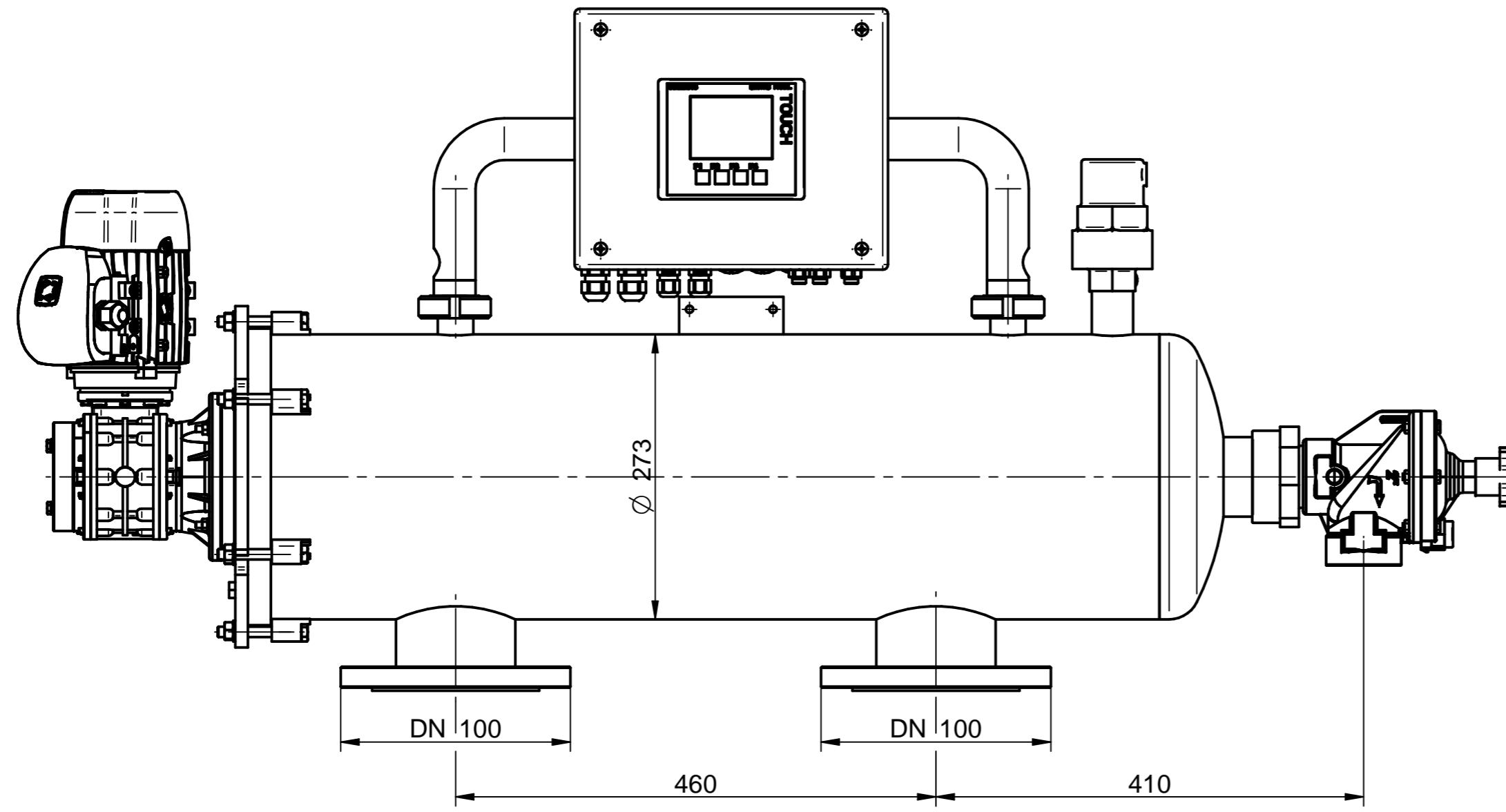




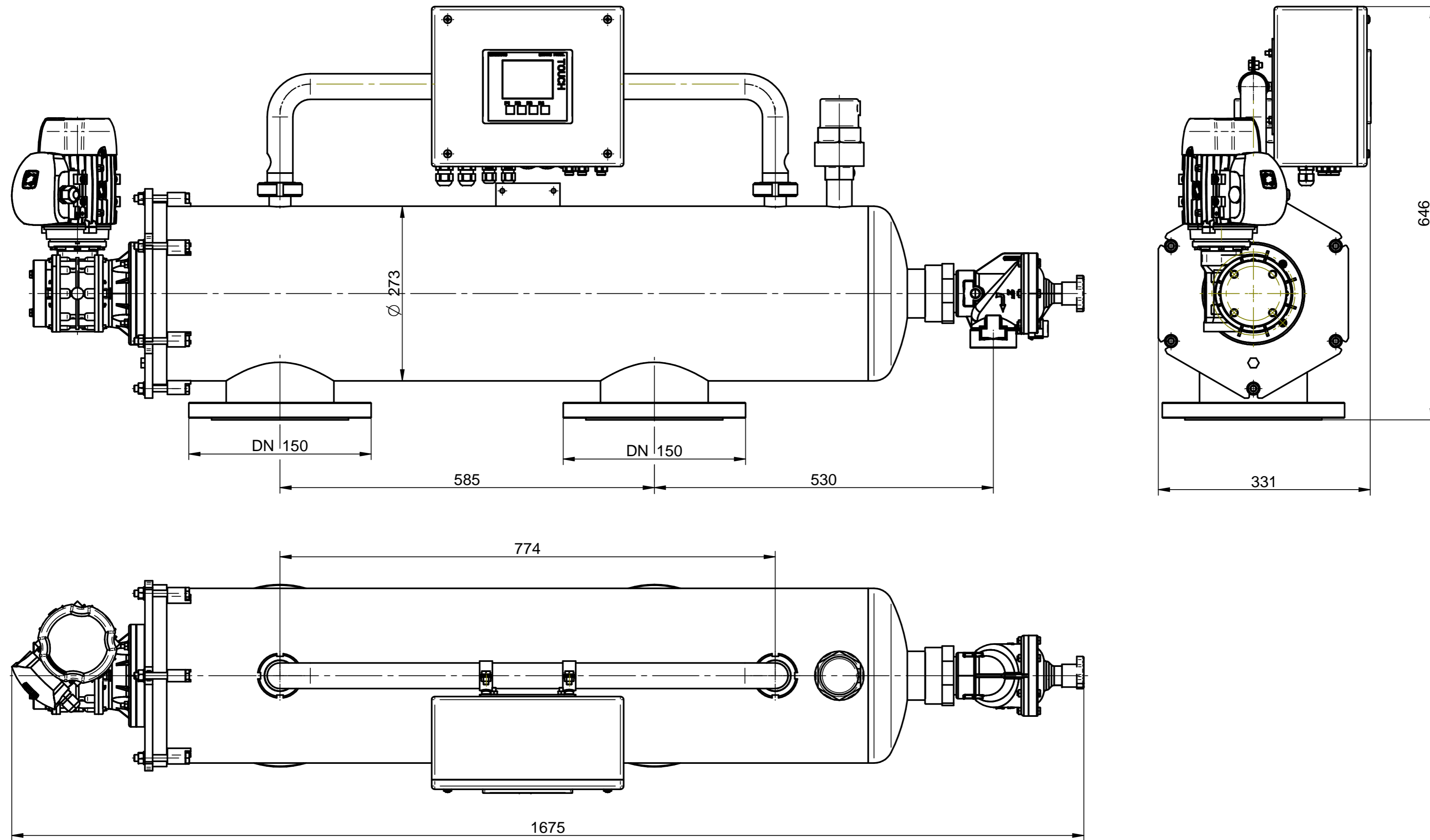
POS.	CODE	DENOMINATION			QUANTITY	MATERIALS
ALL DIMENSIONS MILLIMETERS	ALL SURFACES FINISH ROUGHNESS IN Ra μm	GENERAL TOLLERANCES UNLESS OTHERWISE SPECIFIED UNI-EN 22768-mK UNI-EN 22768-c			NOT QUOTED FILLET R=0.3 CHAMFER 0.3x45°	
SIMILAR TO	CRITICAL INDEX	WORK ORDER	JOB	QUANTITY	DRAWN DATE 31/10/2017 BY Tecnico	APPROVED DATE - BY -
DENOMINATION FILTRO FD2000 50/10 DUPLEX IN/OUT DN50					CODE FD2000PLCDUP200FF_	REV.
					MODIFICATION	DATE
					DATE	BY
REPRODUCTION IS PROHIBITED - ALL RIGHTS RESERVED ACCORDING TO THE LAW					SCALE 1:5	PROJECTION





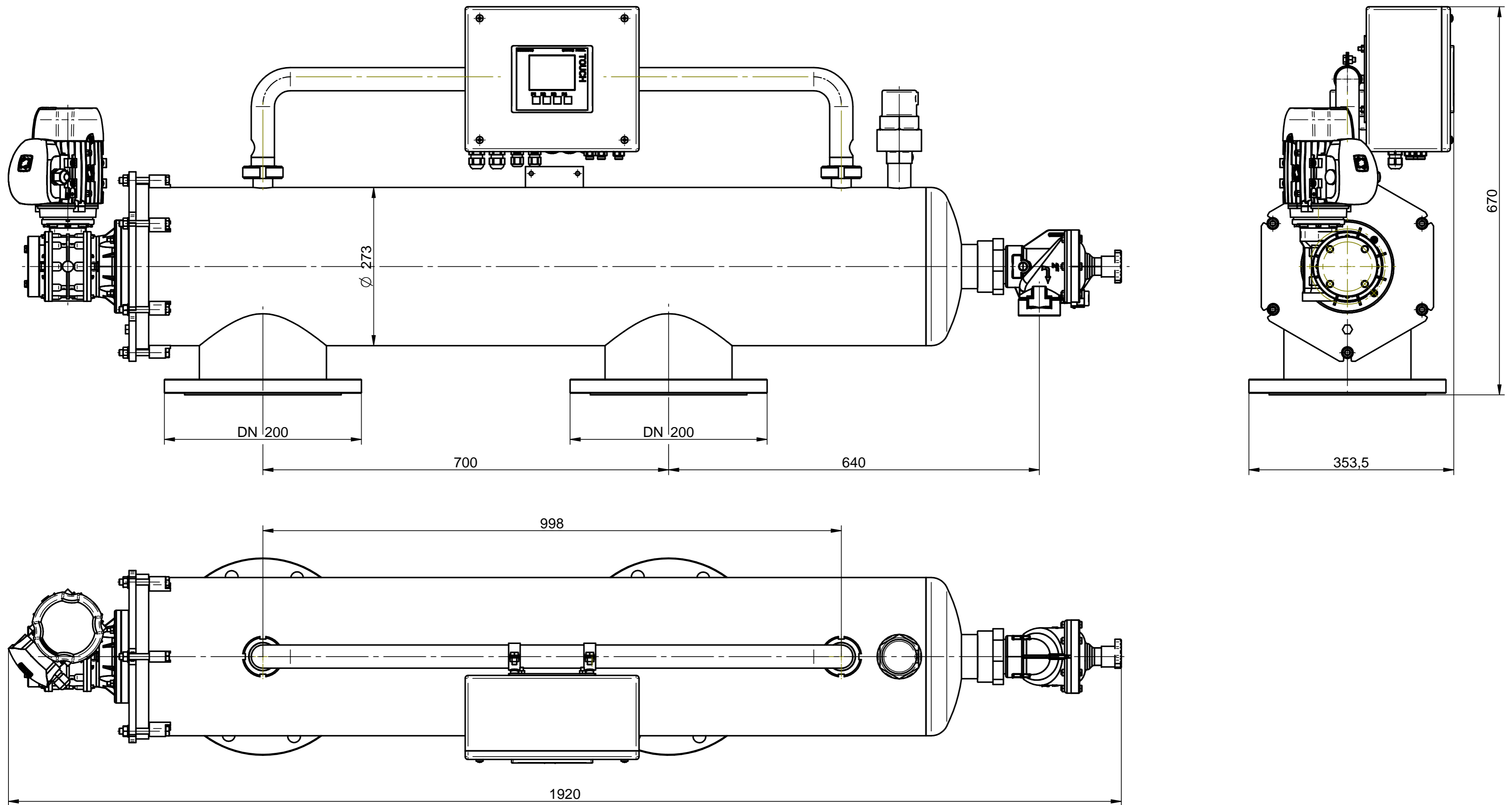
POS.	CODE	DENOMINATION			QUANTITY	MATERIALS
ALL DIMENSIONS MILLIMETERS	ALL SURFACES FINISH ROUGHNESS IN Ra μm	GENERAL TOLLERANCES UNLESS OTHERWISE SPECIFIED UNI-EN 22768-mk UNI-EN 22768-c			NOT QUOTED FILLET R=0.3 CHAMFER 0.3x45°	
SIMILAR TO	CRITICAL INDEX	WORK ORDER	JOB	QUANTITY	DRAWN DATE 31/10/2017 BY Tecnico	APPROVED DATE - BY -
DENOMINATION FILTRO FD2000PLC DUPLEX IN/OUT DN 80					CODE FD2000PLCDUP300FF_	REV.
					MODIFICATION	DATE
					BY	BY
REPRODUCTION IS PROHIBITED - ALL RIGHTS RESERVED ACCORDING TO THE LAW					SCALE 1:5	PROJECTION 




POS.	CODE	DENOMINATION			QUANTITY	MATERIALS	
ALL DIMENSIONS MILLIMETERS	ALL SURFACES FINISH ROUGHNESS IN Ra μm	GENERAL TOLLERANCES UNLESS OTHERWISE SPECIFIED UNI-EN 22768-mk UNI-EN 22768-c			NOT QUOTED FILLET R=0.3 CHAMFER 0.3x45°		
SIMILAR TO	CRITICAL INDEX	WORK ORDER	JOB	QUANTITY	DRAWN DATE 31/10/2017 BY Tecnico	APPROVED DATE - BY -	
DENOMINATION					CODE	REV.	
FILTRO FD2000PLC DUPLEX IN/OUT DN 100					FD2000PLCDUP400FF_		
				MODIFICATION		DATE	BY
				BARCODE		SCALE	PROJECTION
REPRODUCTION IS PROHIBITED - ALL RIGHTS RESERVED ACCORDING TO THE LAW					1:5		



POS.	CODE	DENOMINATION			QUANTIT.	MATERIALS	
ALL DIMENSIONS MILLIMETERS	ALL SURFACES FINISH ROUGHNESS IN Ra μm	GENERAL TOLLERANCES UNLESS OTHERWISE SPECIFIED UNI-EN 22768-mk UNI-EN 22768-c			NOT QUOTED FILLET R=0.3 CHAMFER 0.3x45°		
SIMILAR TO	CRITICAL INDEX	WORK ORDER	JOB	QUANTITY	DRAWN DATE 31/10/2017 BY Tecnico	APPROVED DATE - BY -	
DENOMINATION					CODE	REV.	
FILTRO FD2000PLC DUPLEX IN/OUT DN150					FD2000DUP316600FF_ _ _ _		
				MODIFICATION		DATE	BY
				BARCODE		SCALE	PROJECTION
REPRODUCTION IS PROHIBITED - ALL RIGHTS RESERVED ACCORDING TO THE LAW						1:5	



POS.	CODE	DENOMINATION			QUANTITY	MATERIALS
ALL DIMENSIONS MILLIMETERS	ALL SURFACES FINISH ROUGHNESS IN Ra μm	GENERAL TOLLERANCES UNLESS OTHERWISE SPECIFIED UNI-EN 22768-mK UNI-EN 22768-c			NOT QUOTED FILLET R=0.3 CHAMFER 0.3x45°	
SIMILAR TO	CRITICAL INDEX	WORK ORDER	JOB	QUANTITY	DRAWN DATE 31/10/2017 BY Tecnico	APPROVED DATE - BY -
DENOMINATION					CODE	REV.
FILTRO FD2000PLCDUPLEX IN/OUT DN 200					FD2000PLCDUP800FF_	
				MODIFICATION	DATE	BY
<small>EVERBLUE S.p.A. - www.everblue.it - info@everblue.it</small> <small>REPRODUCTION IS PROHIBITED - ALL RIGHTS RESERVED ACCORDING TO THE LAW</small>				BARCODE	SCALE 1:5	PROJECTION