

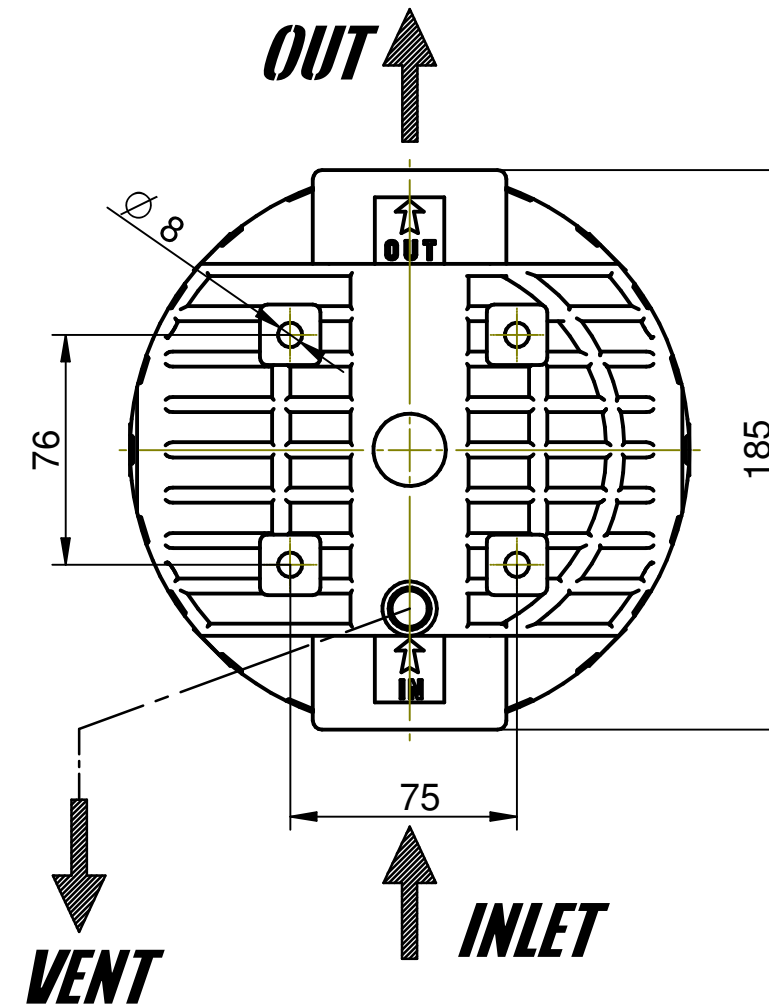
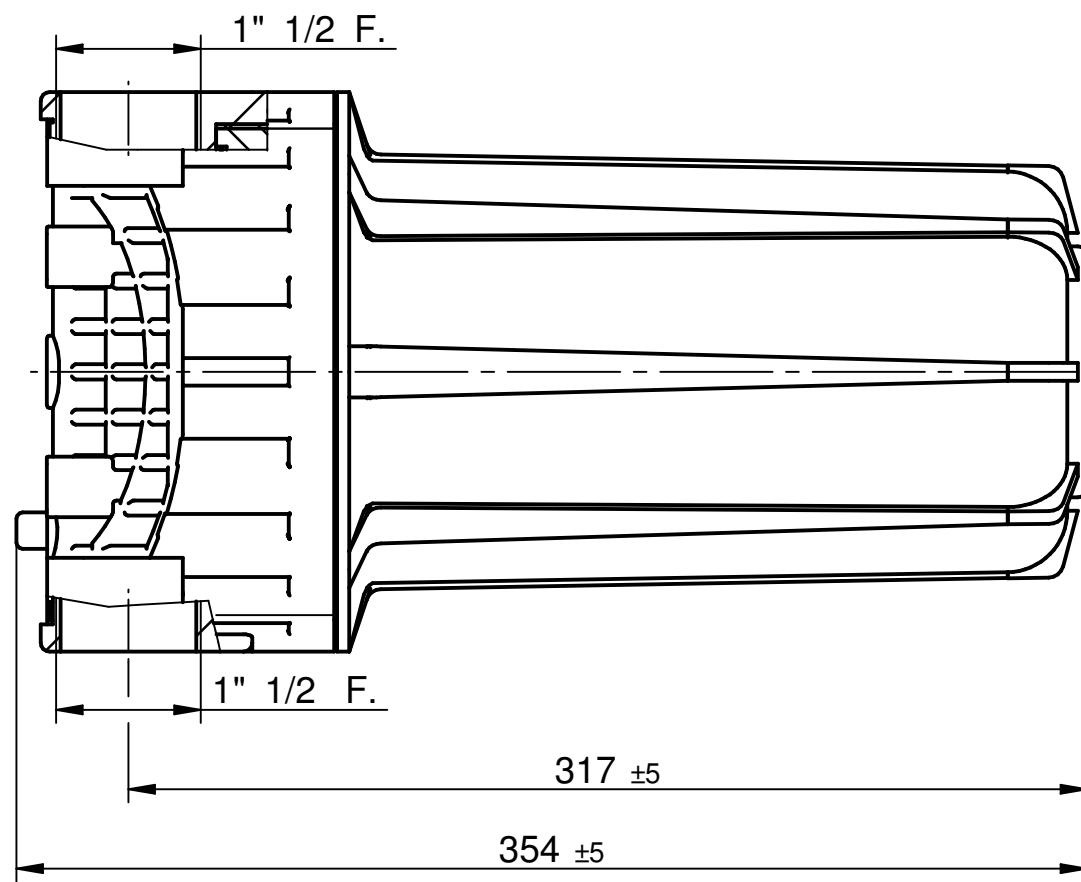



POS.	CODE	DENOMINATION			QUANTITY	MATERIALS
ALL DIMENSIONS MILLIMETERS	ALL SURFACES FINISH ROUGHNESS IN Ra μm	GENERAL TOLLERANCES UNLESS OTHERWISE SPECIFIED UNI-EN 22768-mK UNI-EN 22768-c			NOT QUOTED FILLET R=0.3 CHAMFER 0.3x45°	
SIMILAR TO	CRITICAL INDEX	WORK ORDER	JOB	QUANTITY	DRAWN DATE 10/01/2018 BY Tecnico	APPROVED DATE - BY -
DENOMINATION FILTRO FILBLUE FB4000					CODE FB4000PP112FT__20	REV.
				MODIFICATION		DATE
				BY		DATE
REPRODUCTION IS PROHIBITED - ALL RIGHTS RESERVED ACCORDING TO THE LAW					SCALE	PROJECTION
					1:2,5	



POS.	CODE	DENOMINATION				QUANTITY	MATERIALS
ALL DIMENSIONS MILLIMETERS	ALL SURFACES FINISH ROUGHNESS IN Ra μm	GENERAL TOLLERANCES UNLESS OTHERWISE SPECIFIED UNI-EN 22768-mK UNI-EN 22768-c				NOT QUOTED FILLET R=0.3 CHAMFER 0.3x45°	
SIMILAR TO	CRITICAL INDEX	WORK ORDER	JOB	QUANTITY	DRAWN DATE 10/01/2018 BY Tecnico	APPROVED DATE - BY -	
DENOMINATION FILBLUE FB4000					CODE FB4000PP112FT__09	REV.	
				MODIFICATION		DATE	BY
				BARCODE		SCALE 1:2.5	PROJECTION
REPRODUCTION IS PROHIBITED - ALL RIGHTS RESERVED ACCORDING TO THE LAW							