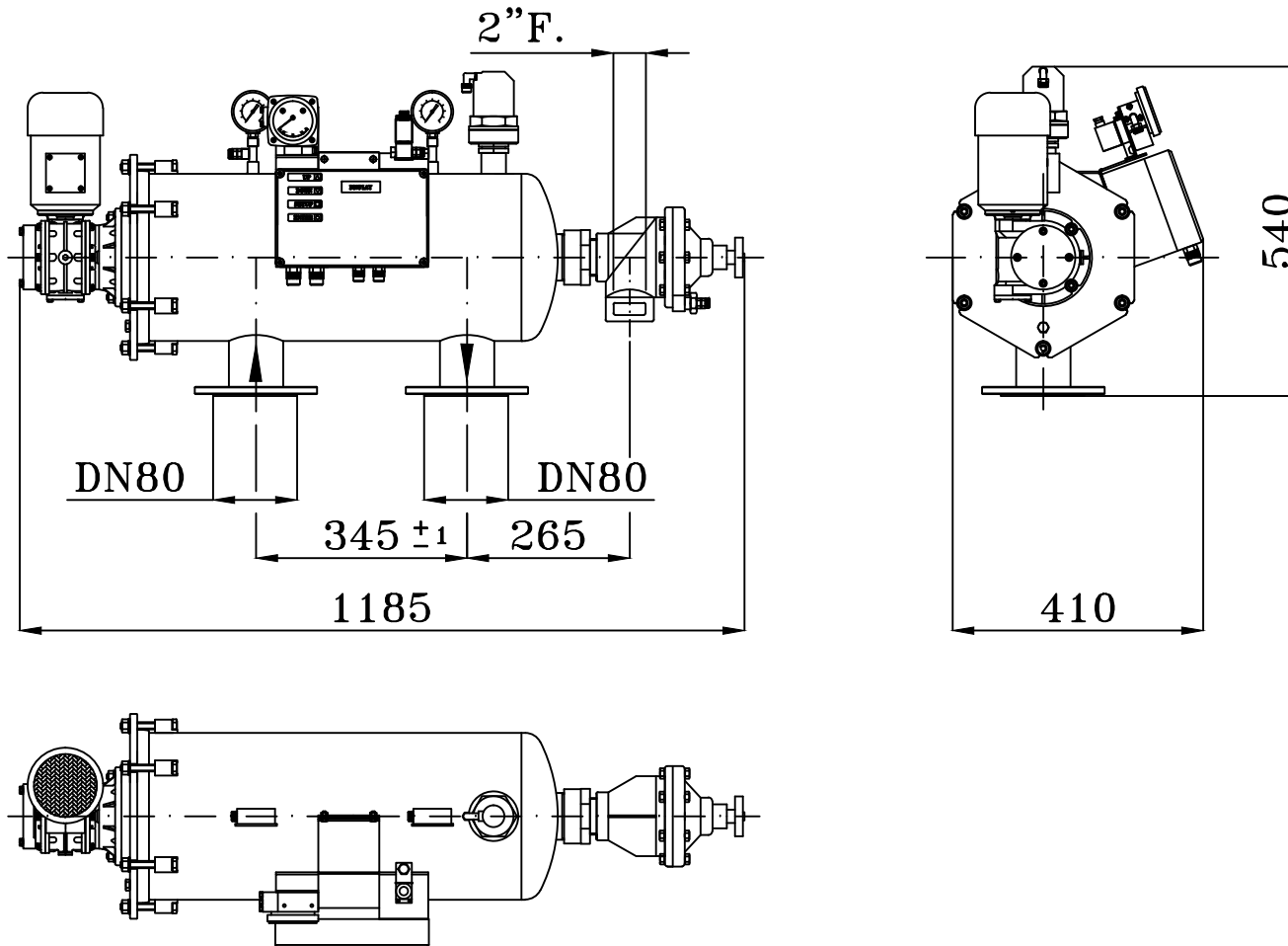

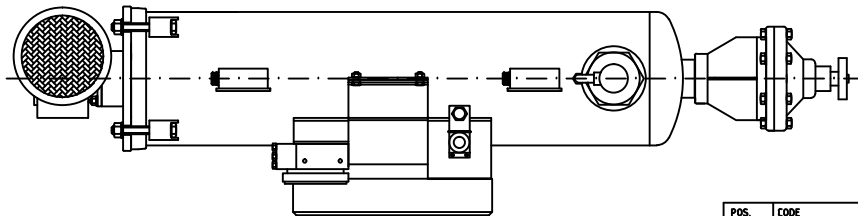
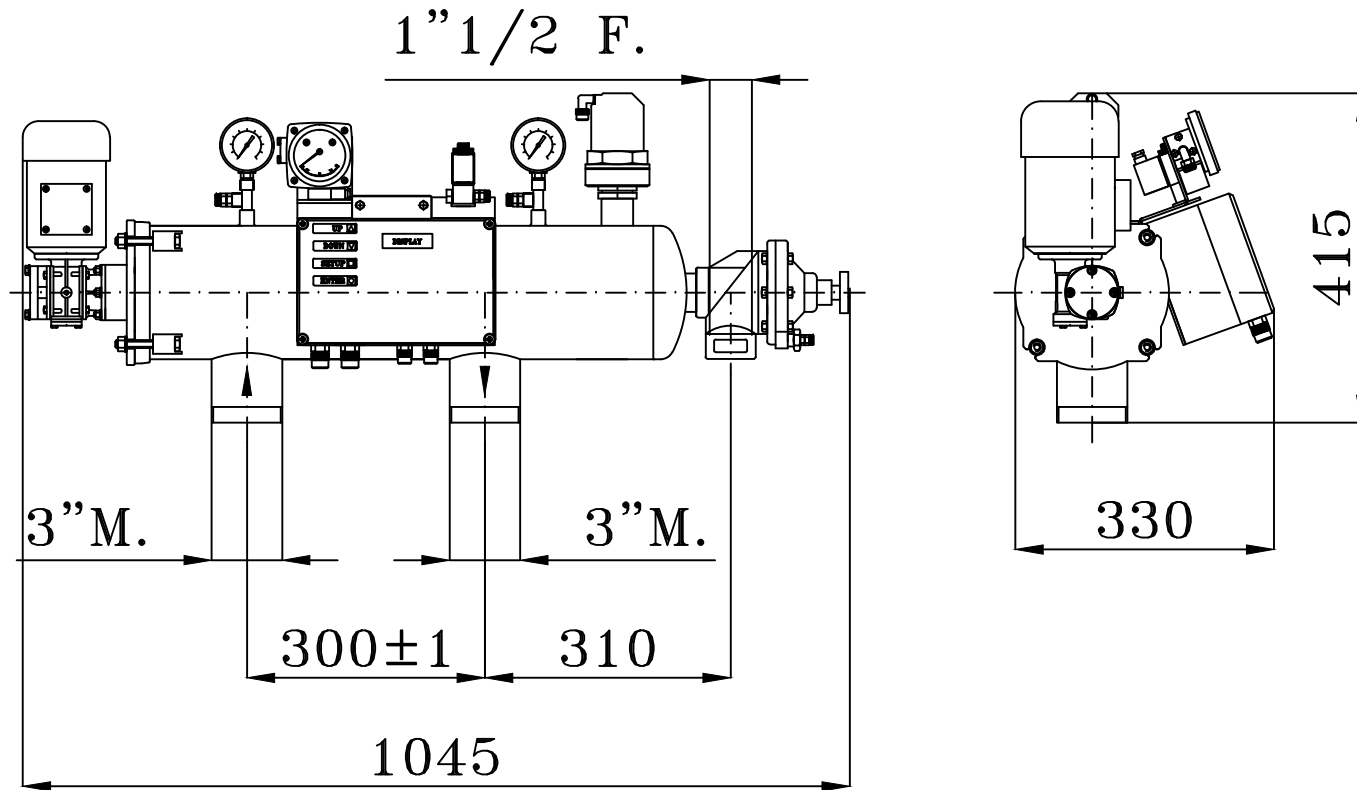




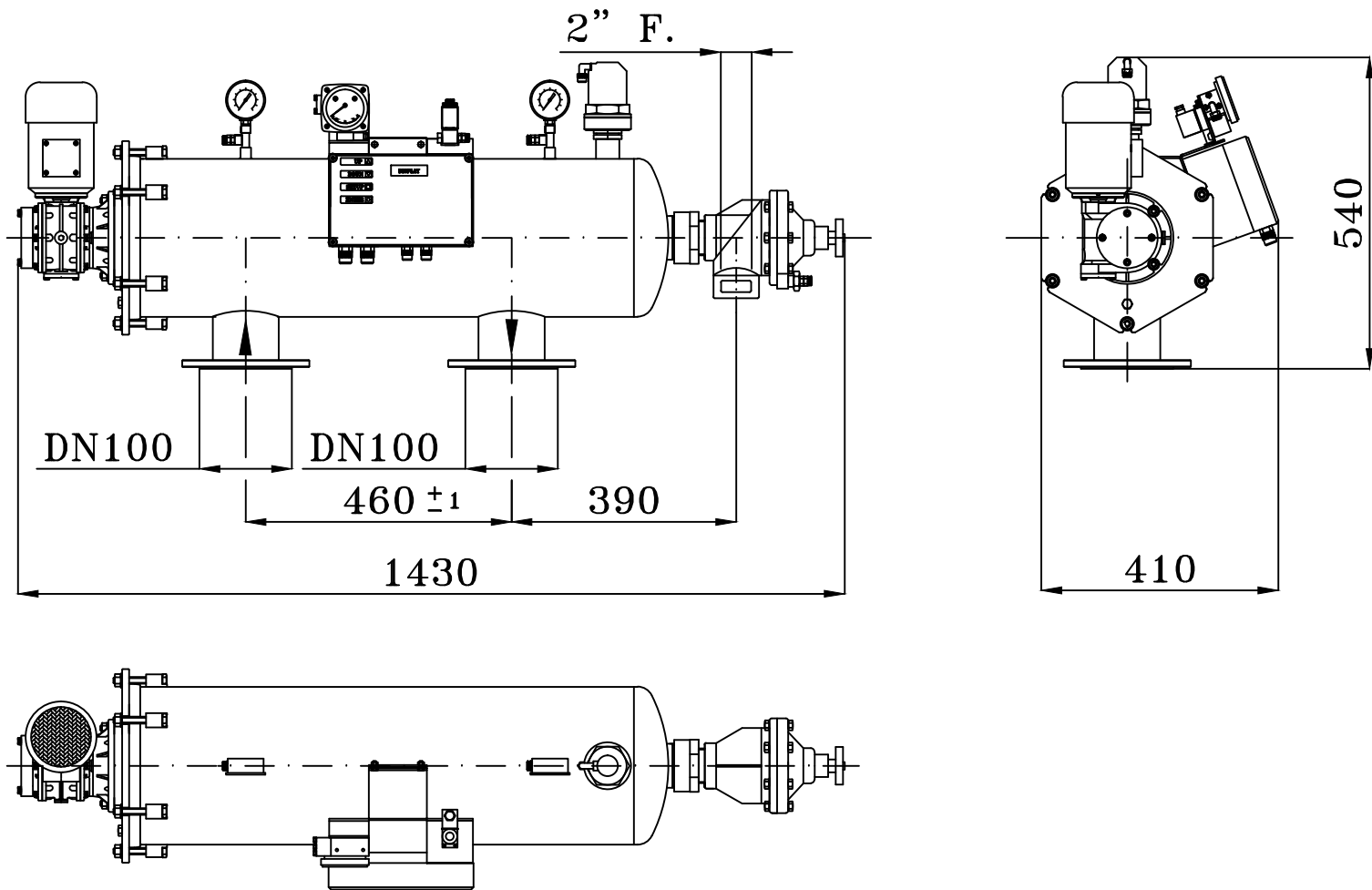
POS.	CODE	DENOMINATION		QUANTITY	MATERIALS
ALL DIMENSIONS MILLIMETERS		ALL SURFACES FINISH ROUGHNESS IN Ra $\mu\text{m}$	GENERAL TOLLERANCES UNLESS OTHERWISE SPECIFIED UNI-EN 22768-mK UNI-EN 22768-c	NOT QUOTED FILLET R=0.3 CHAMFER 0.3x45°	
SIMILAR TO	CRITICAL INDEX	WORK ORDER	JOB	QUANTITY	DRAWN DATE 09/04/2013 BY Gonzalo
DENOMINATION INGOMBRI FILTRO FD2000				CODE FD2000DUP200MT - 1	APPROVED DATE 15 BY 15
			MODIFICATION	DATE	BY
REPRODUCTION IS PROHIBITED - ALL RIGHTS RESERVED ACCORDING TO THE LAW				SCALE 1:5	PROJECTION




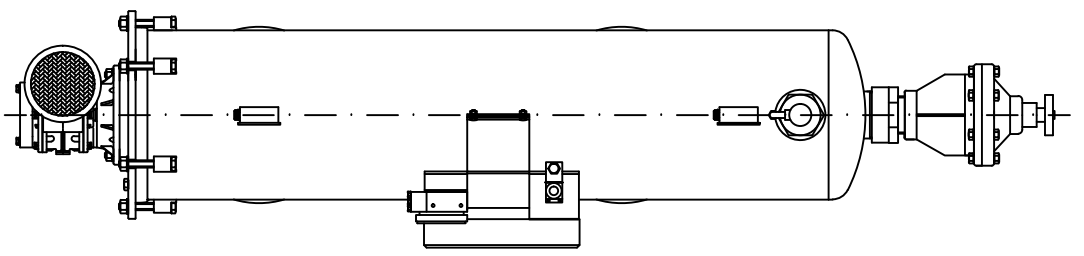
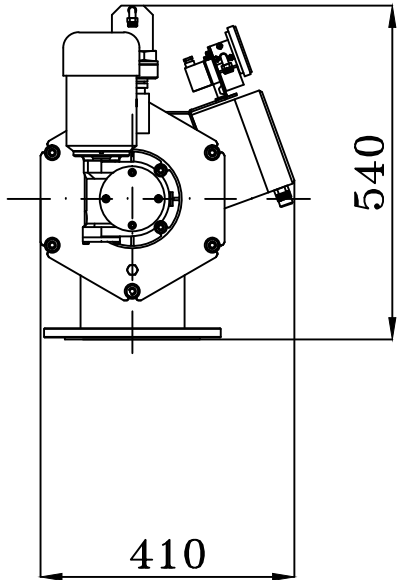
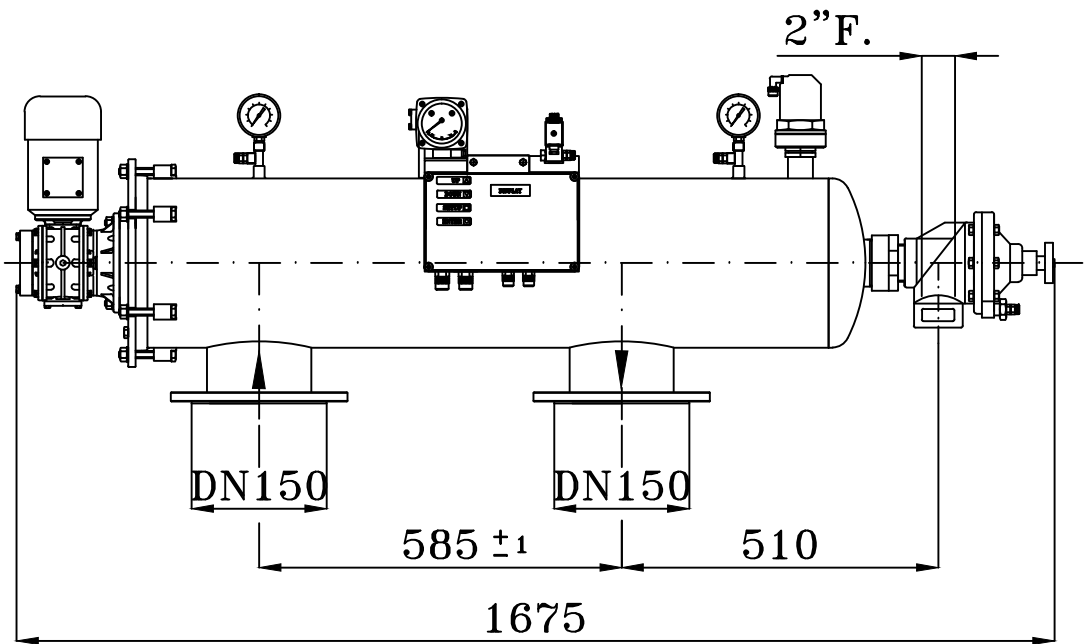
POS.	CODE	DENOMINATION		QUANTITY	MATERIALS
ALL DIMENSIONS MILLIMETERS		ALL SURFACES FINISH ROUGHNESS IN Ra $\mu\text{m}$	GENERAL TOLERANCES UNLESS OTHERWISE SPECIFIED UNI-EN 22768-mK UNI-EN 22768-c		NOT QUOTED FILLET R=0.3 CHAMFER 0.3x45°
SIMILAR TO	CRITICAL INDEX	WORK ORDER	JOB	QUANTITY	DRAWN DATE 09/04/2013 BY Gonzalo
DENOMINATION				CODE	APPROVED DATE 15 BY 15
INGOMBRI FILTRO FD2000				FD2000DUP300FM- 1	REV.
			MODIFICATION	DATE	BY
REPRODUCTION IS PROHIBITED - ALL RIGHTS RESERVED ACCORDING TO THE LAW				SCALE 1:5	PROJECTION



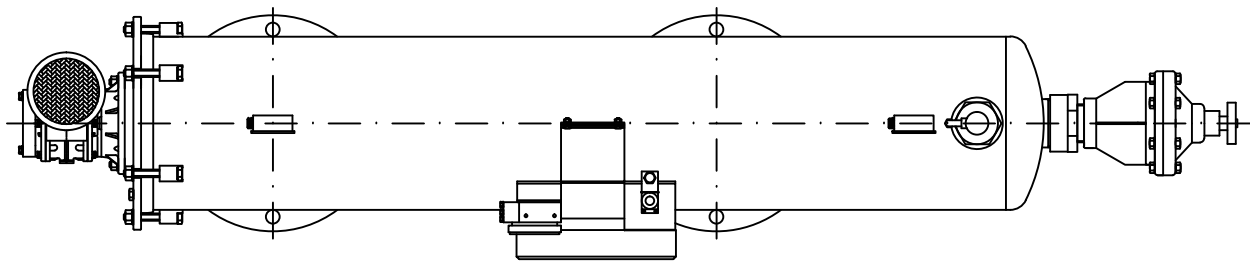
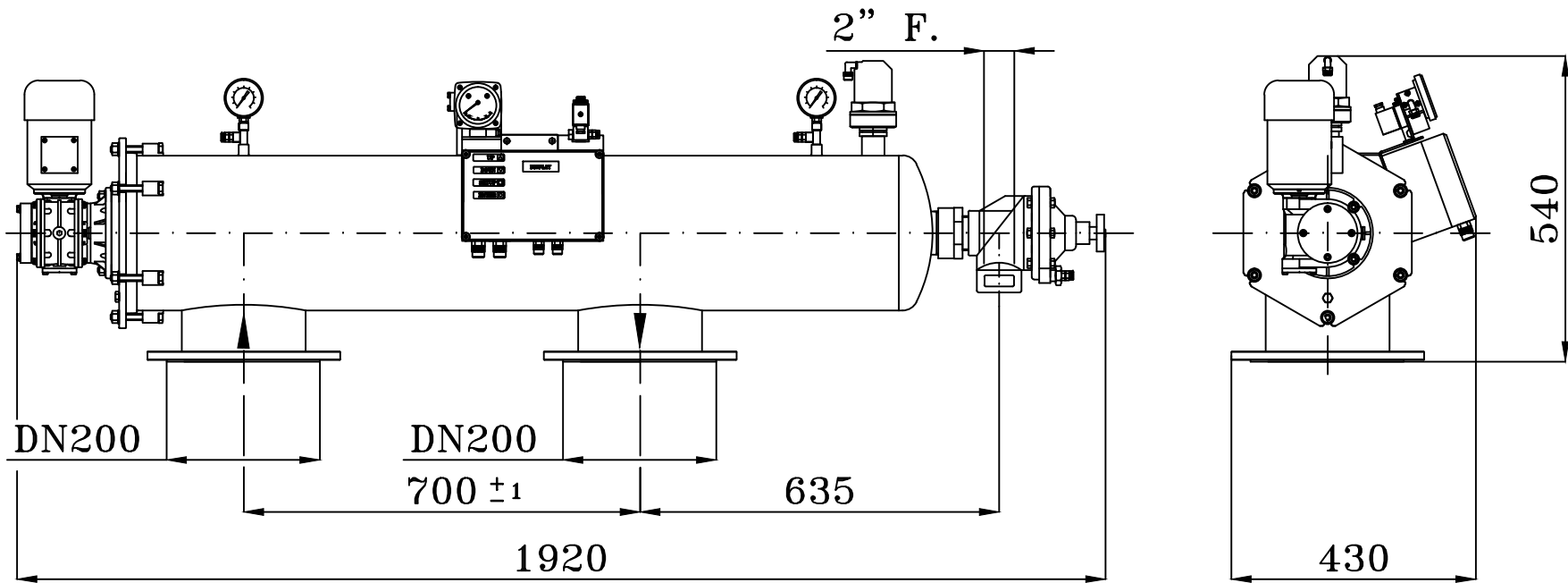
POS.	CODE	DENOMINATION		QUANTITY	MATERIALS	
ALL DIMENSIONS MILLIMETERS		ALL SURFACES FINISH ROUGHNESS IN Ra $\mu\text{m}$	GENERAL TOLERANCES UNLESS OTHERWISE SPECIFIED UNI-EN 22768-mK UNI-EN 22768-c		NOT QUOTED FILLET R=0.3 CHAMFER 0.3x45°	
SIMILAR TO	CRITICAL INDEX	WORK ORDER	JOB	QUANTITY	DRAWN DATE 09/04/2013 BY Gonzalo	APPROVED DATE 15 BY 15
DENOMINATION INGOMBRI FILTRO FD2000				CODE FD2000DUP300MT - 1		REV.
				MODIFICATION		DATE
				BY		DATE
REPRODUCTION IS PROHIBITED - ALL RIGHTS RESERVED ACCORDING TO THE LAW					SCALE 1:5	PROJECTION 



POS.	CODE	DENOMINATION		QUANTITY	MATERIALS		
ALL DIMENSIONS MILLIMETERS		ALL SURFACES FINISH ROUGHNESS IN Ra $\mu\text{m}$	GENERAL TOLERANCES UNLESS OTHERWISE SPECIFIED UNI-EN 22768-mK UNI-EN 22768-c		NOT QUOTED FILLET R=0.3 CHAMFER 0.3x45°		
SIMILAR TO	CRITICAL INDEX	WORK ORDER	JOB	QUANTITY	DRAWN DATE 09/04/2013 BY Gonzalo	APPROVED DATE 15 BY 15	
DENOMINATION INGOMBRI FILTRO FD2000				CODE FD2000DUP400FM- 1	REV.		
				MODIFICATION		DATE	BY
				BARCODE		SCALE 1:5	PROJECTION
REPRODUCTION IS PROHIBITED - ALL RIGHTS RESERVED ACCORDING TO THE LAW							



POS.	CODE	DENOMINATION		QUANTITY	MATERIALS
ALL DIMENSIONS MILLIMETERS		ALL SURFACES FINISH ROUGHNESS IN Ra $\mu\text{m}$	GENERAL TOLERANCES UNLESS OTHERWISE SPECIFIED UNI-EN 22768-mK UNI-EN 22768-c		NOT QUOTED FILLET R=0.3 CHAMFER 0.3x45°
SIMILAR TO	CRITICAL INDEX	WORK ORDER	JOB	QUANTITY	DRAWN DATE 09/04/2013 BY Gonzalo
DENOMINATION INGOMBRI FILTRO FD2000				CODE FD2000DUP600FM- 1	APPROVED DATE 15 BY 15
			MODIFICATION	DATE	BY
REPRODUCTION IS PROHIBITED - ALL RIGHTS RESERVED ACCORDING TO THE LAW				SCALE 1:5	PROJECTION



POS.	CODE	DENOMINATION		QUANTITY	MATERIALS
ALL DIMENSIONS MILLIMETERS		ALL SURFACES FINISH ROUGHNESS IN Ra $\mu\text{m}$	GENERAL TOLERANCES UNLESS OTHERWISE SPECIFIED UNI-EN 22768-mK UNI-EN 22768-c		NOT QUOTED FILLET R=0.3 CHAMFER 0.3x45°
SIMILAR TO	CRITICAL INDEX	WORK ORDER	JOB	QUANTITY	DRAWN DATE 09/04/2013 BY Gonzalo
DENOMINATION INGOMBRI FILTRO FD2000				CODE FD2000DUP800FM- I	APPROVED DATE 15 BY 15
			MODIFICATION	DATE	BY
REPRODUCTION IS PROHIBITED - ALL RIGHTS RESERVED ACCORDING TO THE LAW				SCALE 1:5	PROJECTION 