






BagMaxx

Basket Filter
Model: BagMax FMX-S

Basket filters BagMaxS

A basket filter is a type of filter designed for the removal of all suspended solids present in surface waters (rivers, lakes, sea) of wells and springs. Basket filters are used for the removal from water of: leaves, branches, pebbles, sand, rust, pests, insects and other large particles.

Basket filters guarantee:

-  high performance
-  easy and quick maintenance
-  cost saving

BagMaxS basket filters are technically and economically the best solution currently available on the market as pretreatment for self-cleaning filters, for the protection of pumps and to give continuity to the filtration process after sand filters or resin plants for the construction of high flow filtration plants.

Their undisputed uniqueness, thanks to the use of certified raw materials of high quality, always guarantees better performance than any possible alternative.



*the most
technologically
advanced solution
for filtration with
filter baskets*



Basket filters BagMaxS

BagMaxS basket filters are produced in two different height:

BagMaxS basket filters guarantee:



BagMaxS 1x13"
Contains 1 basket of 13"
Flow rate up to 18 m³/h



BagMaxS 1x20"
Contains 1 basket da 20"
Flow rate up to 27 m³/h



High flow

Product with heights (1x13" e 1x20"), diameters (6") and connection (2" – 3") such as to ensure flow rates from 18 m³/h a 27 m³/h



High pressure resistance

Possibility to operate up to 6 bar



Absolute corrosion resistance

Durability guarantee in seawater filtration

Why choose BagMaxS: structure

BagMaxS basket filters consist of 3 basic parts:

1 FILTER BASKET

The filter basket is the “operational” part of the filter, it is made entirely of plastic material (PVC) inside which there are two polypropylene drainage nets and a polyester filter net; this allows you to make the most of the entire filter surface of the basket.

The filter basket retains water particles larger than 50 µm (0,05 mm) with a high efficiency of 85%

2 FILTER BODY

Made of polyamide (PA) it is perfectly compatible with all types of water. The filter body, together with the filter head, contains the filter element. The filter body guarantees a perfect pressure seal.

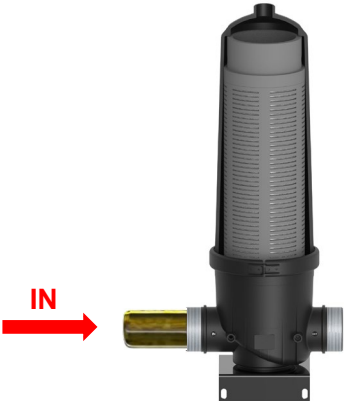
3 FILTER CAPS

Made of polyamide (PA) it is perfectly compatible with all types of water. The filter head, together with the filter body, contains the filter element.



Why choose BagMaxS: operating

1 The water to be filtered enters through the inlet of the BagMaxS then finish inside the filter basket, thanks to the special shape of the outlet cap.



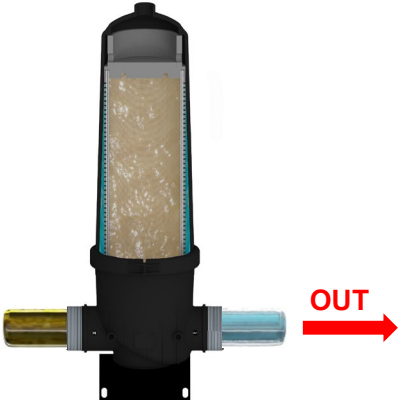
2 The water is distributed as shown, uniformly over the entire inner surface of the filter basket, ensuring a constant filtration efficiency over time.



3 The water then crosses from the inside out the filter basket that in this way I will retain the foreign particles and the usual suspended.

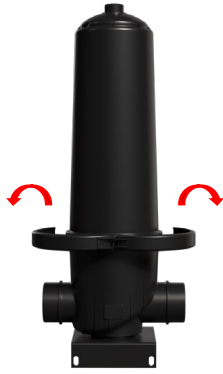


4 Once the water has finished its path inside the BagMaxS housing and its filter baskets, it is free to flow through the fully purified and filtered outlet cap.



Why choose BagMaxS: easy of maintenance

A Open the clamping flange of the **BagMaxS** housing:



B Completely remove the lid of the **BagMaxS** housing:



C Insert the desired cartridge into the body of the **BagMaxS** housing:



D Reinsert the lid into the **BagMaxS** housing and make sure to close the clamping flange:



*The extraction of the baskets from the **BagMaxS** container is carried out in reverse with respect to the insertion. The insertion and extraction of the baskets is very simple and takes only a couple of minutes.*

Why choose BagMaxS

Uniqueness

BagMaxS basket filters are absolutely **unique** products because:

- They are the synthesis of the best technologies currently available on the market
- They are produced in 2 different lengths that can be easily assembled in batteries with special mounting kits (frame + collectors)
- They are designed to accommodate a multi-layer filter basket that allows optimal filtration



Semplicità

BagMaxS basket filters are absolutely easy to use:

- One operator opens and closes the **BagMaxS** container manually and in a few minutes.



Why choose BagMaxS: modularity

BagMaxS basket filters can be easily and quickly mounted in modular filtration batteries suitable to meet all flow rates at reduced costs.



BagMaxS
FMX-S-2RS
Flow rate up to 54 m³/h



BagMaxS
FMX-S-3RS
Flow rate up to 81 m³/h



BagMaxS
FMX-S-4RS
Flow rate up to 108 m³/h

More info



Data sheet
BagMaxS



Video
BagMaxS



Technical Courses



Contact Us



Everblue

Via Alberto Zanrè, 16 - Loc. Gotra 43051 Albareto (PR)

www.everblue.it

+39 0525-1920100

info@everblue.it

