



BagBlancs




Basket Filters

Model: BagBlanc FBC-S

Basket filters BagBlancS

A basket filter is a type of filter designed for the removal of all suspended solids present in surface waters (rivers, lakes, sea) of wells and springs. Basket filters are used for the removal from water of: leaves, branches, pebbles, sand, rust, pests, insects and other large particles.

Basket filters guarantee:

-  high performance
-  easy and quick maintenance
-  cost saving



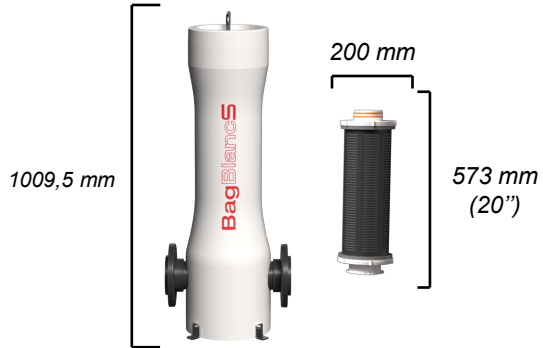
*the most
technologically
advanced solution
for filtration
with filter baskets*

BagBlancS basket filters are technically and economically the best solution currently available on the market as pretreatment for self-cleaning filters, for the protection of pumps and to give continuity to the filtration process after sand filters or resin plants for the construction of high flow filtration plants.

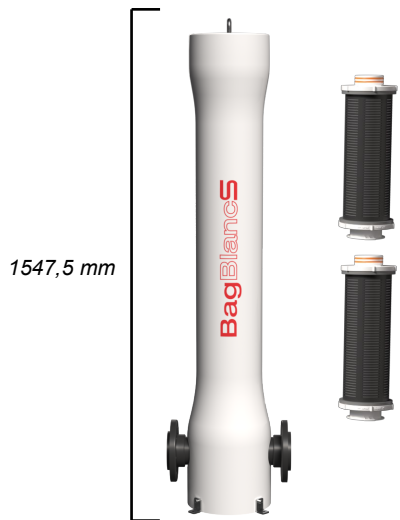
Their undisputed uniqueness, thanks to the use of certified raw materials of high quality, always guarantees better performance than any possible alternative.

Basket filters BagBlancS

BagBlancS basket filters are produced in two different heights:



BagBlancS 1x20''
Contains 1 basket of 20''
Flow rate up to 18 m³/h



BagBlancS 2x20''
Contains 2 baskets of 20''
Flow rate up to 36 m³/h

BagBlancS basket filters guarantee:



High flow

Products with heights (1x20'' e 2x20''), diameters (8''- 200mm) and connections (3''- DN80) such as to ensure flow rates from 18 m³/h to 36 m³/h



High pressure resistance

Possibility to operate up to 10 bar



Absolute corrosion resistance

Made with plastics (heads) and fiberglass (body) of absolute quality

Why choose BagBlancS: structure

BagBlancS basket filters consist of 3 basic parts:

1 FILTER BASKET

The filter basket is the “operational” part of the filter, it is made entirely of plastic material (PVC) inside which there are two polypropylene drainage nets and a polyester filter net; this allows you to make the most of the entire filter surface of the basket.

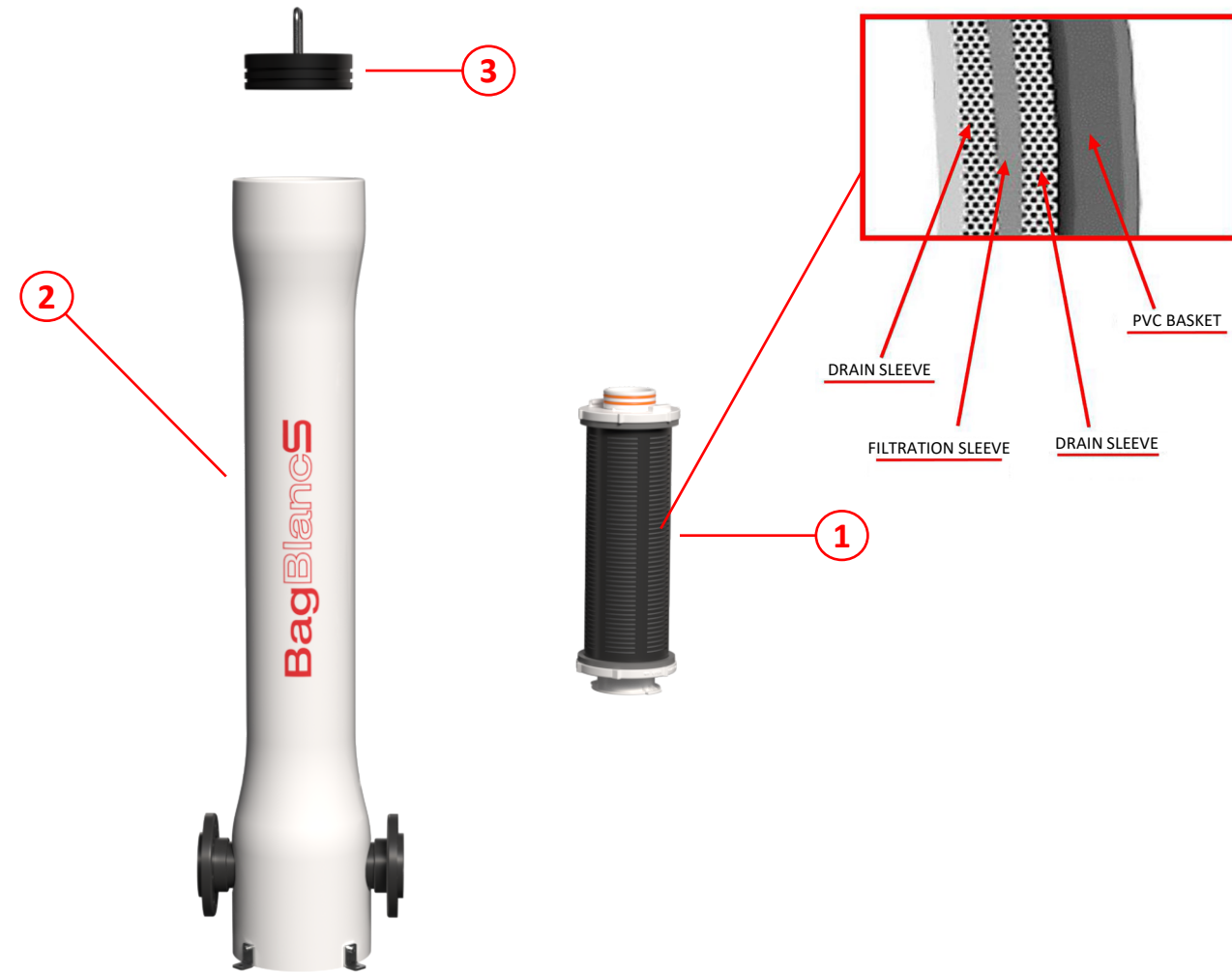
The filter basket retains particles in the water ranging in size from 50 µm to 3000 µm with a high efficiency rate of 85%.

2 FILTER BODY

The basket filter body is completely made of fiberglass (FRP) and is perfectly compatible with all types of water. Thanks to the strength and solidity of the fiberglass, the BagBlancS guarantees a perfect pressure tightness, which allows it to be installed in systems with a maximum working pressure of 10 bar.

3 FILTER CAPS

The filter closures are made of polyvinyl chloride (PVC), are perfectly compatible with all types of water and ensure easy and quick extraction of the basket in case of cleaning.



Why choose BagBlancS: operating

- 1 The water to be filtered enters through the inlet of the BagBlancS then finish inside the filter basket, thanks to the special shape of the outlet cap.



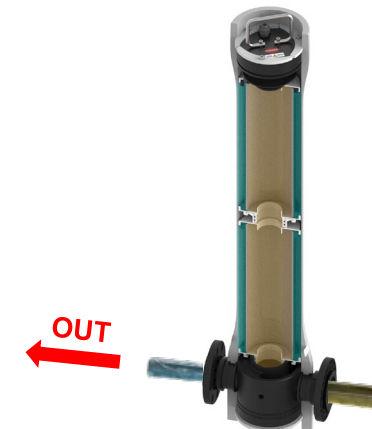
- 2 The water is distributed as shown, uniformly over the entire inner surface of the filter basket, ensuring a constant filtration efficiency over time.



- 3 The water then crosses from the inside out the filter basket that in this way I will retain the foreign particles and the usual suspended.

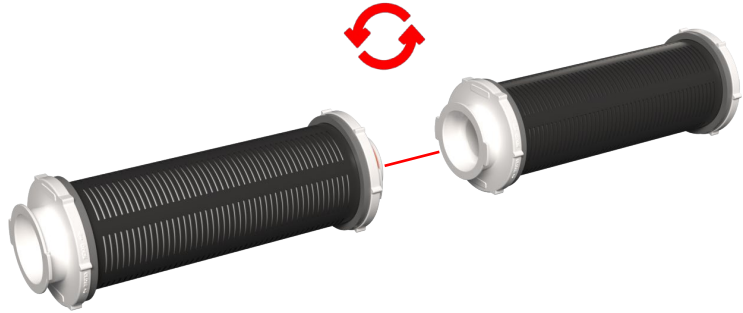


- 4 Once the water has finished its path inside the BagBlancS housing and its filter baskets, it is free to flow through the fully purified and filtered outlet cap.



Why choose BagBlancS: easy of maintenance

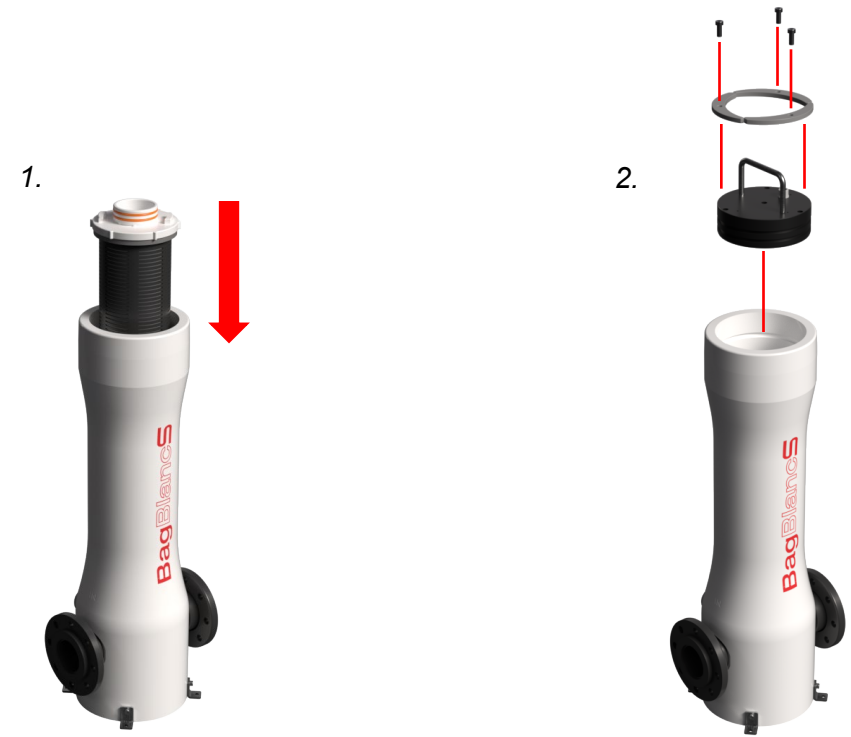
- A** Insert the baskets one on the other, then rotate clockwise until the end of the ride:



- B** Insert the handle into the basket block, then rotate clockwise until the end of stroke:



- C** Insert the basket block, complete with handle, into the **BagBlancS** container body (1). Next, insert the locking cap into the **BagBlancS** container body, insert the 3 tightening rings, then insert and screw in the fixing screws (2). The filtered water outlet cap always remains fixed on the container:



*The extraction of the baskets from the **BagBlancS** container is carried out in reverse with respect to the insertion. The insertion and extraction of the baskets is very simple and takes only a couple of minutes.*

Why choose BagBlancS

Uniqueness

BagBlancS basket filters are absolutely **unique** products because:

- They are the synthesis of the best technologies currently available on the market
- They are produced in 2 different lengths that can be easily assembled in batteries with special mounting kits (frame + collectors)
- They are designed to accommodate a multi-layer filter basket that allows optimal filtration



Simplicity

BagBlancS basket filters are absolutely easy to use:

- One operator opens and closes the BagBlancS container manually and in a few minutes.
- The BagBlancS filter baskets are quickly inserted and removed by quickly attaching to each other thanks to the bayonet attachment.



Why choose BagBlancS: modularity

BagBlancS basket filters can be easily and quickly mounted in **modular** filtration batteries suitable to meet all flow rates at reduced costs.



BagBlancS
FBC-S-2RS
Flow rate up to 72 m³/h



BagBlancS
FBC-S-3RS
Flow rate up to 108 m³/h



BagBlancS
FBC-S-4RS
Flow rate up to 144 m³/h

More info



Data Sheet
BagBlancS



Video
BagBlancS



Technical Courses



Contact Us



Everblue

Via Alberto Zanrè, 16 - Loc. Gotra 43051 Albareto (PR)

www.everblue.it

+39 0525-1920100

info@everblue.it

