

VNX-Max High Flow Continuous Electro Deionization (CEDI) Modules

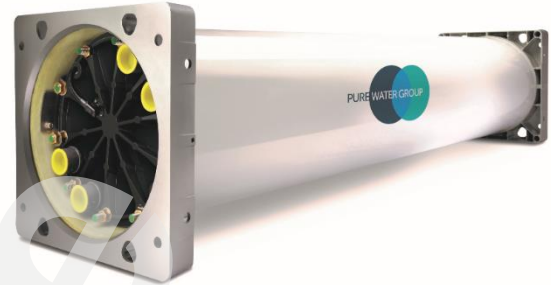
VNX Module — VNX-Max

The VNX-platform provides the highest flow rate per module of any other CEDI module available today. The VNX-Max expands on that legacy with the same proven CEDI technology to produce high-purity water with an even higher nominal flow rate of 15 m³/h (66 gpm).

The VNX-Max utilize connectors for stacking VNX modules and simple hydraulics connections that keep system design and overall capital cost to a minimum.

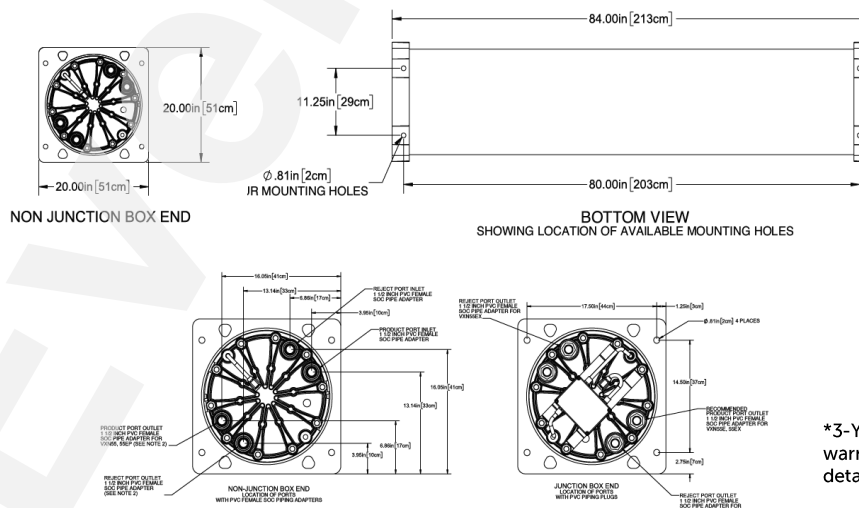
The VNX-Max can be used with our most advanced switch mode high-frequency power supply (PSSW) to ensure you have the power available to meet your performance needs.

For additional information call +31 165 348 253 or visit our website at www.purewatergroup.com

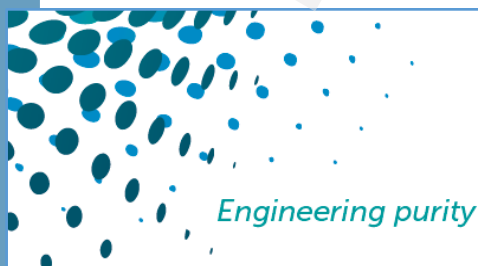


VNX-Max Series Features

- Typically > 17 MΩ-cm product water resistivity
- Largest flow per EDI module with maximum flow rates of 22.7 m³/h (100 gpm)
- 1 ppm maximum feed water hardness (as CaCO₃)
- Up to 95% recovery
- Ideal for critical boiler feed applications
- On-board junction box
- Optional PP 3-part union connectors
- Robust leak-free design with standard 3-year* warranty



*3-Year Prorated warranty see warranty documents for details.



VNX-Max High Flow Continuous Electro Deionization (CEDI) Modules

Operating environment

Installation should be indoors with no direct sunlight and it should have a maximum room temperature of 45°C (113°F).

Materials of construction

1. Wetted components of the VNX module consists of: PVC (adapters), nylon/ABS polyphenylene, silicone, ion-selective membranes, ion exchange resins and thermoplastic elastomer.
2. Polypropylene 3-part union connectors available for purchase.
3. Housing is fiberglass reinforced plastic (FRP). Standard color is white with glossy finish. Custom colors and labeling are available.
4. The bracket/end-block assembly is an epoxy painted aluminum casting suitable for securing modules to the frames and/or each other in Pure Water Group system approved configurations.

Quality Assurance Standards

CE marked: each module is factory tested to meet strict industry standards and is manufactured in an ISO 9001 and ISO 14000 quality and environmental management system.

Halal certification: all modules are manufactured in accordance with the Islamic Food and Nutrition Council of America Standards (IFANCA), and will carry the Crescent M Halal Logo.

Maximum Feed Water Specifications	
Feed water conductivity equivalent, Including CO ₂ and Silica	≤ 40 µS/cm
Feed water source	RO permeate
Temperature	10 – 45°C (50 - 113°F)
Maximum inlet pressure	6.9 bar (100 psi)
Maximum total chlorine (as Cl ₂)	< 0.02 ppm
Iron (Fe)	< 0.01 ppm
Manganese (Mn)	< 0.01 ppm
Sulphide (S ⁻)	< 0.01 ppm
pH	4 – 11
Total hardness (as CaCO ₃)	≤ 1.0 ppm
Dissolved organics (TOC as C)	≤ 0.5 ppm
Silica (SiO ₂)	≤ 1.0 ppm

Typical Module Performance

Operating Parameters	
Recovery	90 – 95%
Flow rate: minimum	7.5 m ³ /h (33 gpm)
Flow rate: nominal	15 m ³ /h (66 gpm)
Flow rate: maximum	22.5 m ³ /h (100 gpm)
DC voltage	0 – 600
DC amperage	0 – 7

Product Water Quality	
Product resistivity – RO permeate	> 17 MΩ-cm*
Product resistivity – DI permeate	> 18 MΩ-cm*
Silica (SiO ₂) removal	≥ 95%
Boron (B) removal	≥ 95%
Sodium (Na) removal	≥ 99.8%
Chloride (Cl) removal	≥ 99.8%

*Actual performance may be determined using the projection software

Accessories Ordering Information

Model	Description
PSSW60012	3ph DC power supply 3x400 VAC-600VDC/12A/4.8kW
CISW00108	Control Interface for communication between PSSW & PLC
DSPSSW01	Control Display for PSSW
CSXPP3P06	Connection set VNX-2, PP-3P, 2x50DN40, 2x25DN20

Ordering Information and Physical Specifications

Order #	Module #	Width	Height	Length	Shipping Weight
W3T428758	IP-VNX-Max	50.8 cm (20.0")	50.8 cm (20.0")	213.3 cm (84.0")	295 kg (650 lbs)

Pure Water Group

Korte Hei 3
4714 RD Sprundel
Tel. +31 165 348 253
Fax +31 165 348 254
info@purewatergroup.com

The information provided in this literature contains merely general descriptions or characteristics of performance which in actual case of use do not always apply as described or which may change as a result of further development of the products. An obligation to provide the respective characteristics shall only exist if expressly agreed in terms and of the contract