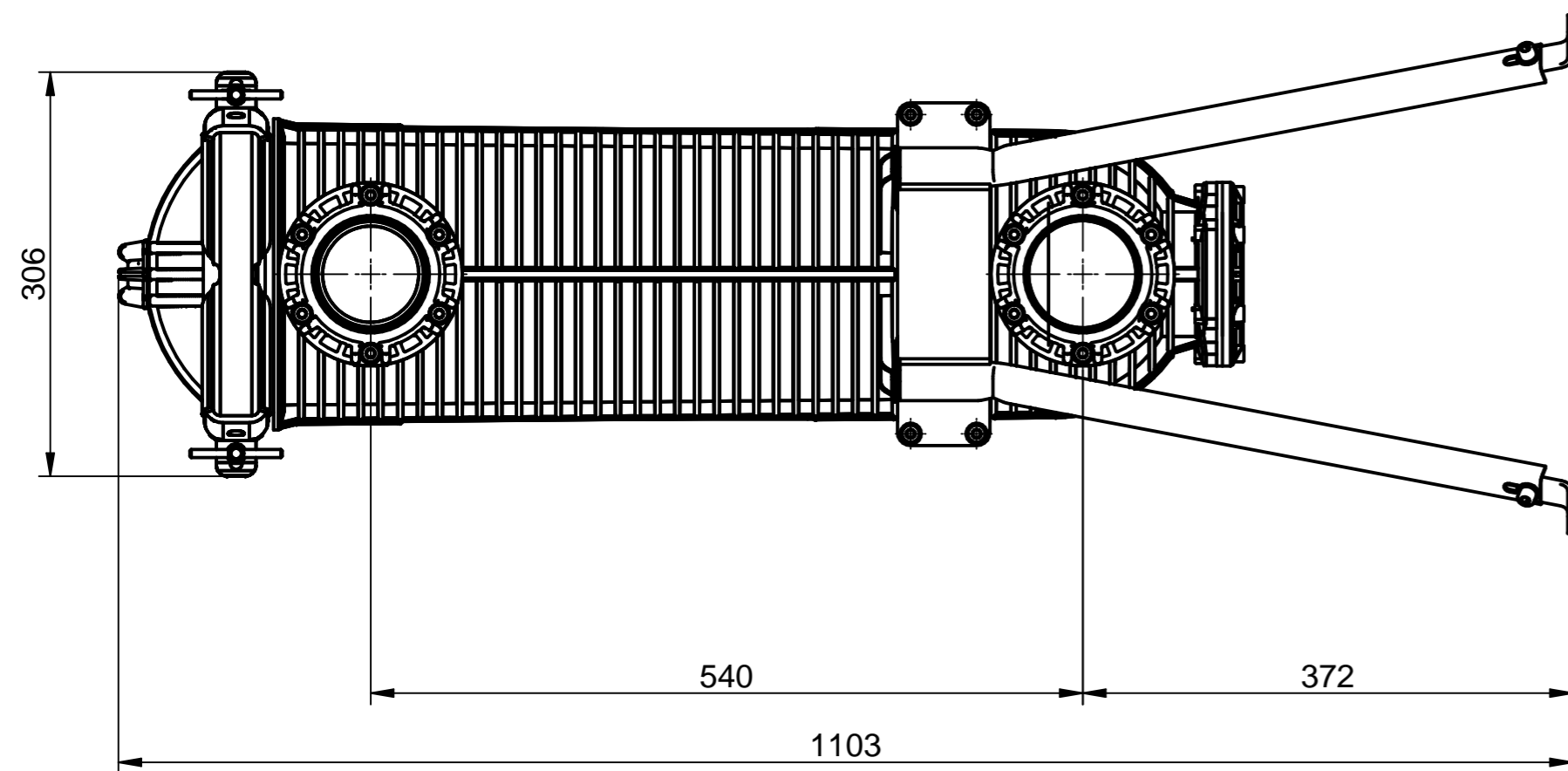
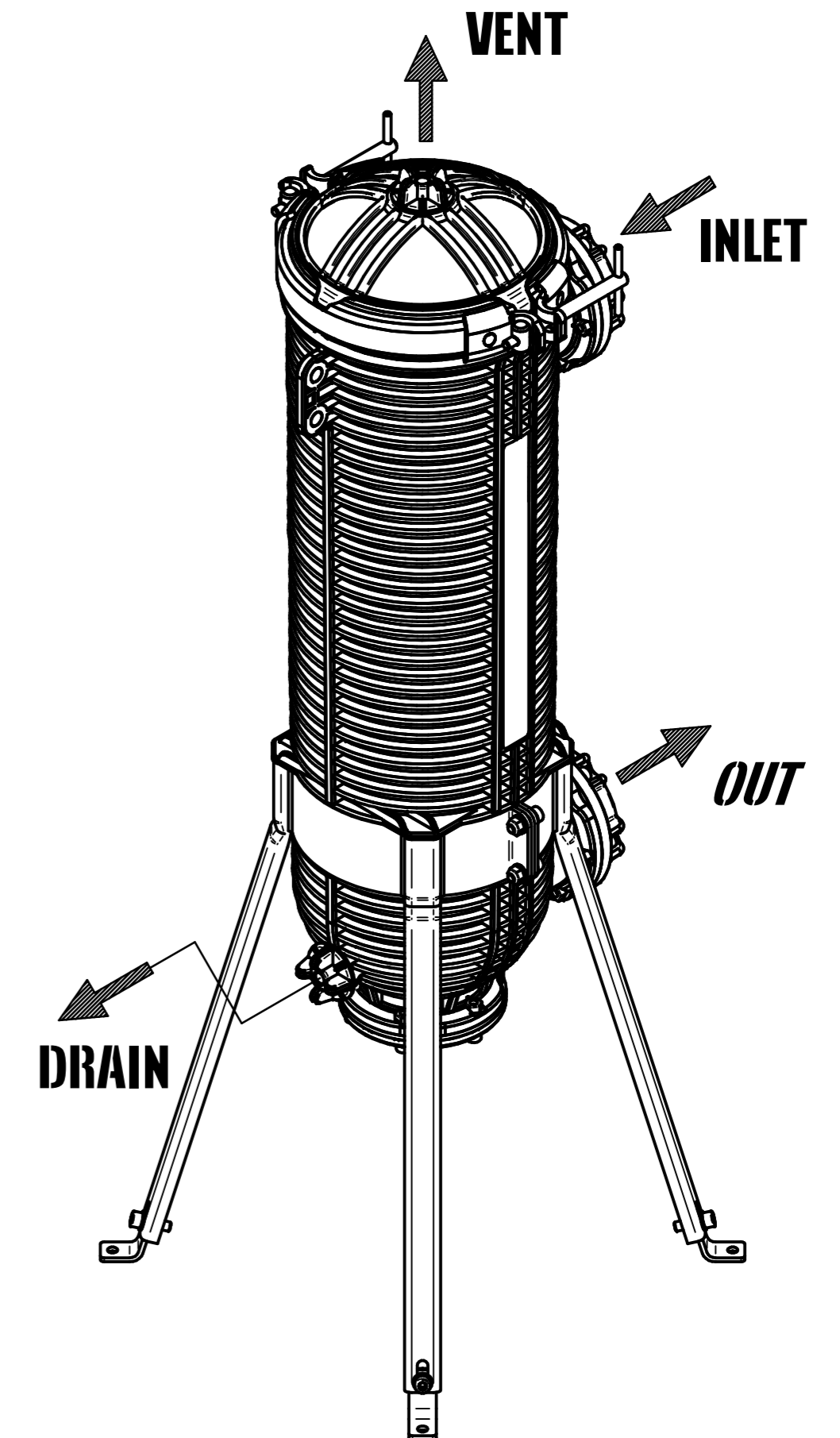
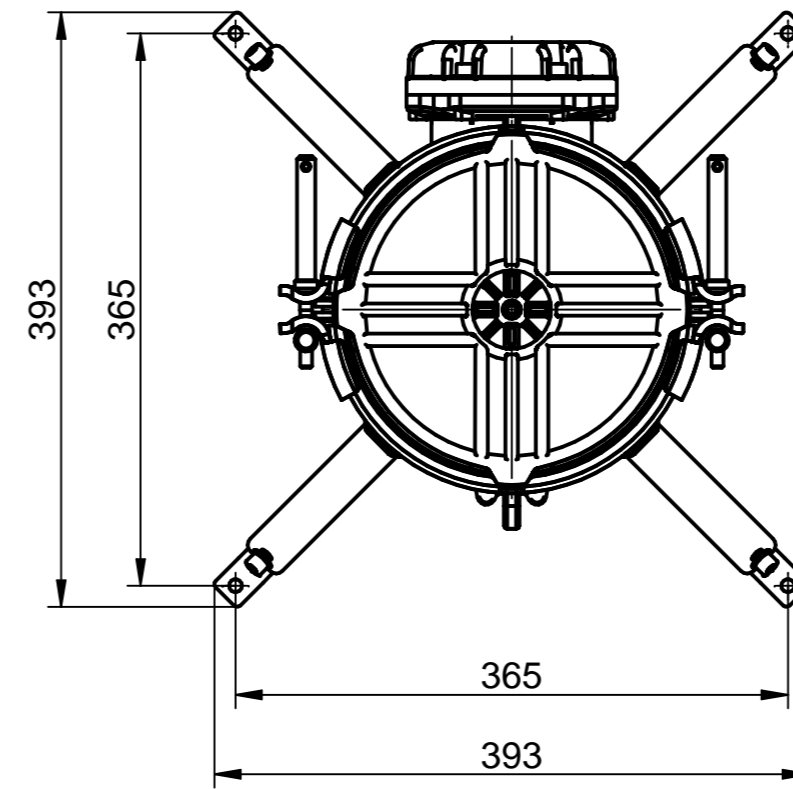
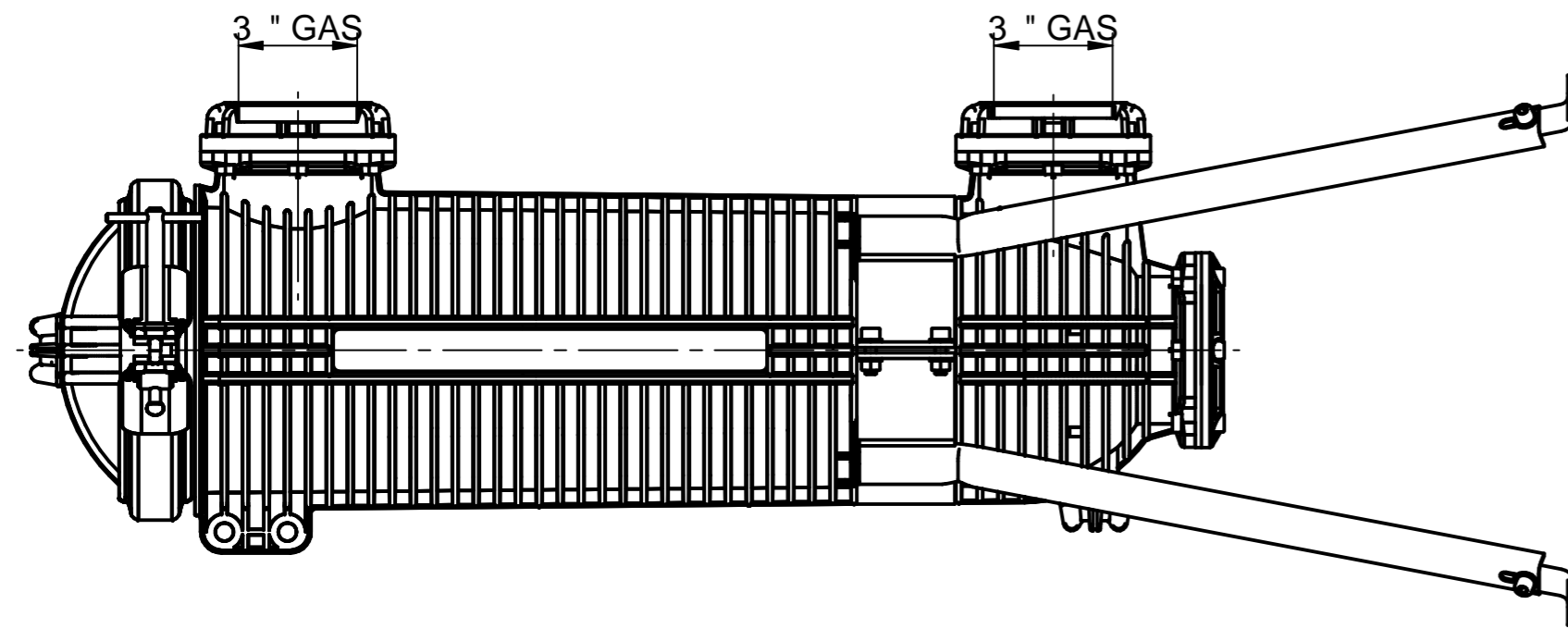


* : LA QUOTA PUO' VARIARE DA 0-17 mm GRAZIE AI PIEDI REGOLABILI

* : THE RATE CAN VARY FROM 0-17 mm THANKS TO ADJUSTABLE FEET

POS.	CODE	DENOMINATION			QUANTIT	MATERIALS
ALL DIMENSIONS MILLIMETERS	ALL SURFACES FINISH ROUGHNESS IN Ra μm	GENERAL TOLLERANCES UNLESS OTHERWISE SPECIFIED UNI-EN 22768-mk UNI-EN 22768-c			NOT QUOTED	FILLET R=0.3 CHAMFER 0.3x45°
SIMILAR TO	CRITICAL INDEX	WORK ORDER	JOB	QUANTITY	DRAWN DATE 27/01/2017 BY Tecnico	APPROVED DATE BY
DENOMINATION					CODE	REV.
FILTRO BAGONE-S 19"					FBS0PP19DN80F_	
Everblue					MODIFICATION	DATE BY
REPRODUCTION IS PROHIBITED - ALL RIGHTS RESERVED ACCORDING TO THE LAW					SCALE 1:5	PROJECTION



* : LA QUOTA PUO' VARIARE DA 0-17 mm GRAZIE AI PIEDI REGOLABILI

* : THE RATE CAN VARY FROM 0-17 mm THANKS TO ADJUSTABLE FEET

POS.	CODE	DENOMINATION			QUANTIT	MATERIALS
ALL DIMENSIONS MILLIMETERS	ALL SURFACES FINISH ROUGHNESS IN Ra μm	GENERAL TOLLERANCES UNLESS OTHERWISE SPECIFIED UNI-EN 22768-mk UNI-EN 22768-c			NOT QUOTED	FILLET R=0.3 CHAMFER 0.3x45°
SIMILAR TO	CRITICAL INDEX	WORK ORDER	JOB	QUANTITY	DRAWN DATE 27/01/2017 BY Tecnico	APPROVED DATE BY
DENOMINATION					CODE	REV.
FILTRO BAGONE-S 19"					FBS0PP19300FT	
Everblue				MODIFICATION	DATE	BY
REPRODUCTION IS PROHIBITED - ALL RIGHTS RESERVED ACCORDING TO THE LAW				BARCODE	SCALE 1:5	PROJECTION