
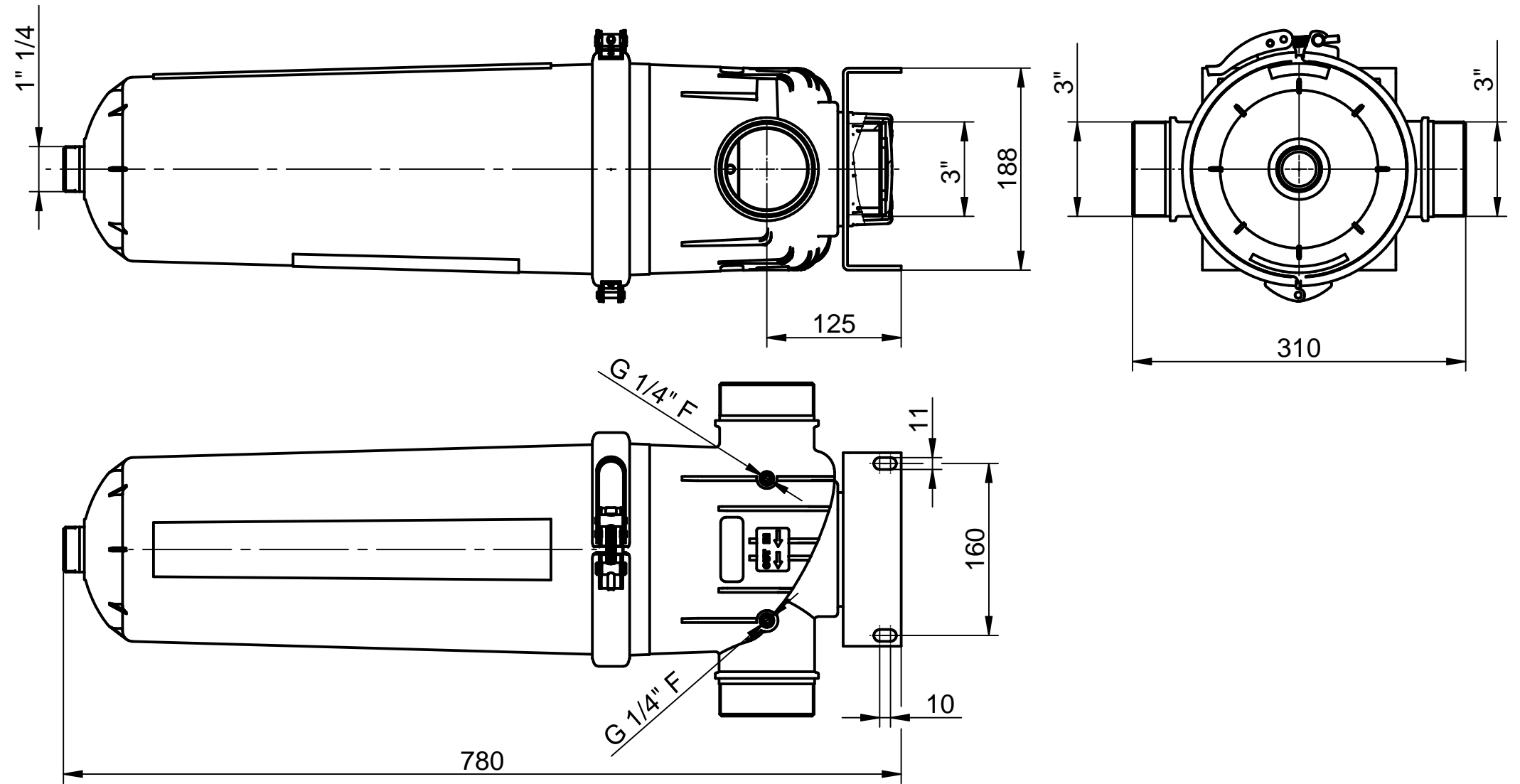
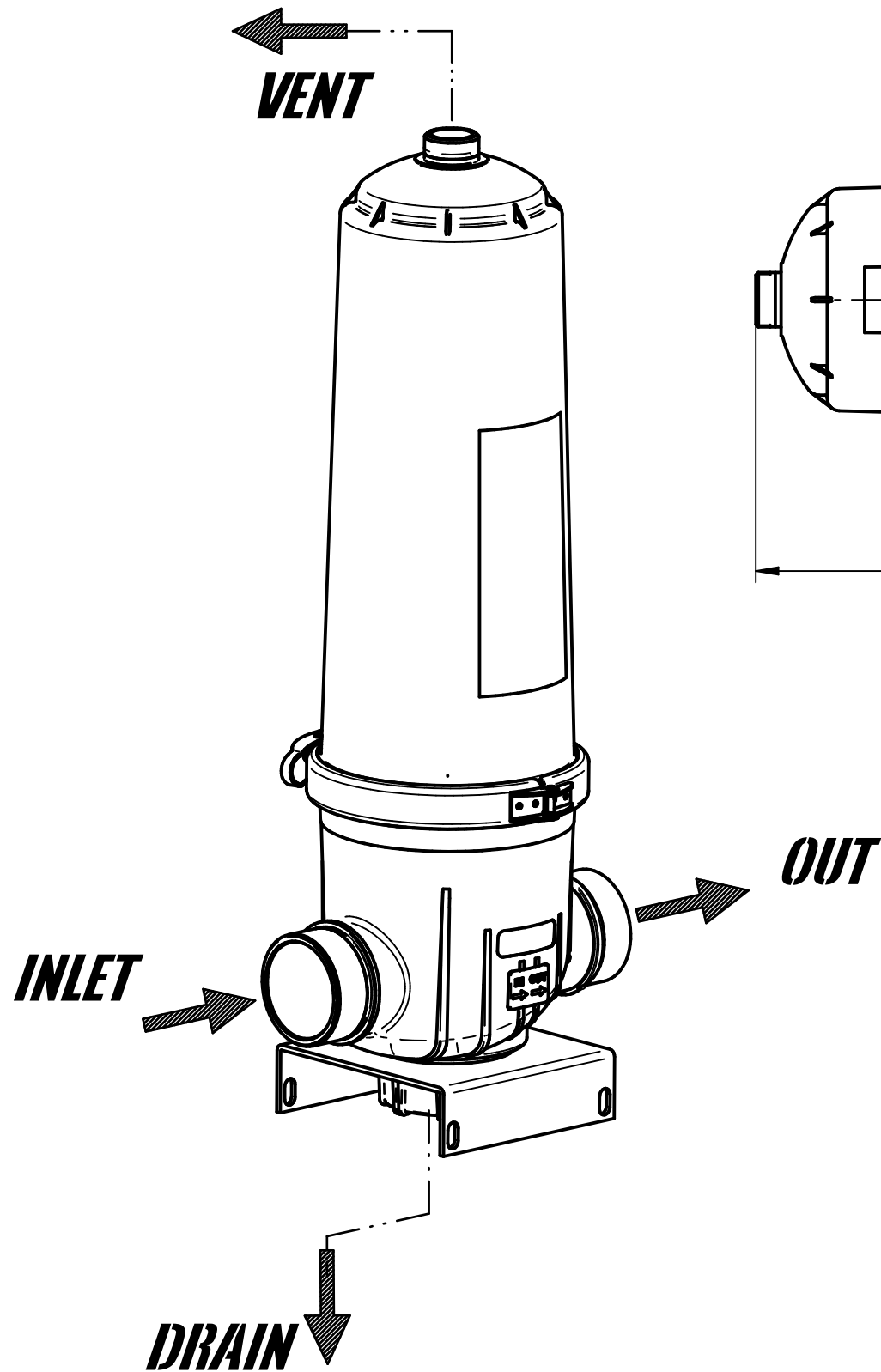



POS.	CODE	DENOMINATION			QUANTITY	MATERIALS	
ALL DIMENSIONS MILLIMETERS	ALL SURFACES FINISH ROUGHNESS IN Ra $\mu$ m	GENERAL TOLLERANCES UNLESS OTHERWISE SPECIFIED UNI-EN 22768-mK UNI-EN 22768-c			NOT QUOTED FILLET R=0.3 CHAMFER 0.3x45°		
SIMILAR TO	CRITICAL INDEX	WORK ORDER	JOB	QUANTITY	DRAWN DATE 24/07/2020 BY Tecnico	APPROVED DATE - BY -	
DENOMINATION <b>FILTERMAX FMX 1x13"</b>					CODE <b>FMXPAMX0113</b>	REV.	
				MODIFICATION		DATE	BY
				BARCODE		SCALE 1:5	PROJECTION
REPRODUCTION IS PROHIBITED - ALL RIGHTS RESERVED ACCORDING TO THE LAW							



POS.	CODE	DENOMINATION			QUANTITY	MATERIALS
ALL DIMENSIONS MILLIMETERS	ALL SURFACES FINISH ROUGHNESS IN Ra $\mu\text{m}$	GENERAL TOLLERANCES UNLESS OTHERWISE SPECIFIED UNI-EN 22768-mK UNI-EN 22768-c			NOT QUOTED FILLET R=0.3 CHAMFER 0.3x45°	
SIMILAR TO	CRITICAL INDEX	WORK ORDER	JOB	QUANTITY	DRAWN DATE 24/07/2020 BY Tecnico	APPROVED DATE - BY -
DENOMINATION <b>FILTERMAX FMX 1x20"</b>					CODE <b>FMXPAMX0120</b>	REV.
				MODIFICATION		DATE
				DATE		BY
REPRODUCTION IS PROHIBITED - ALL RIGHTS RESERVED ACCORDING TO THE LAW					SCALE 1:5	PROJECTION