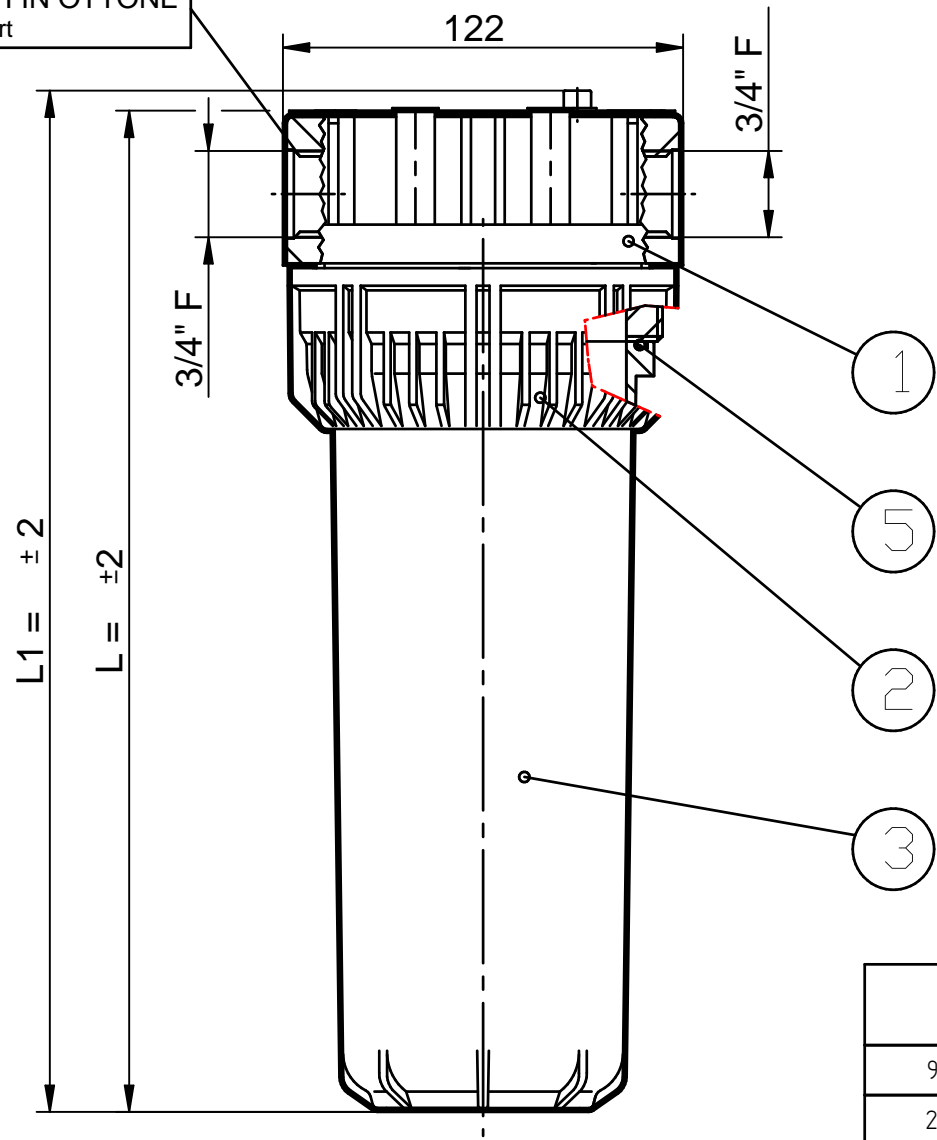
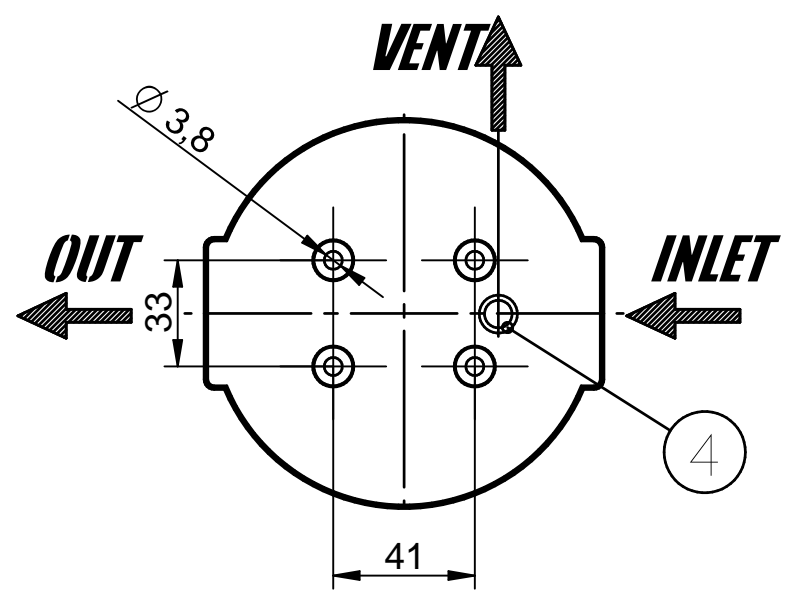
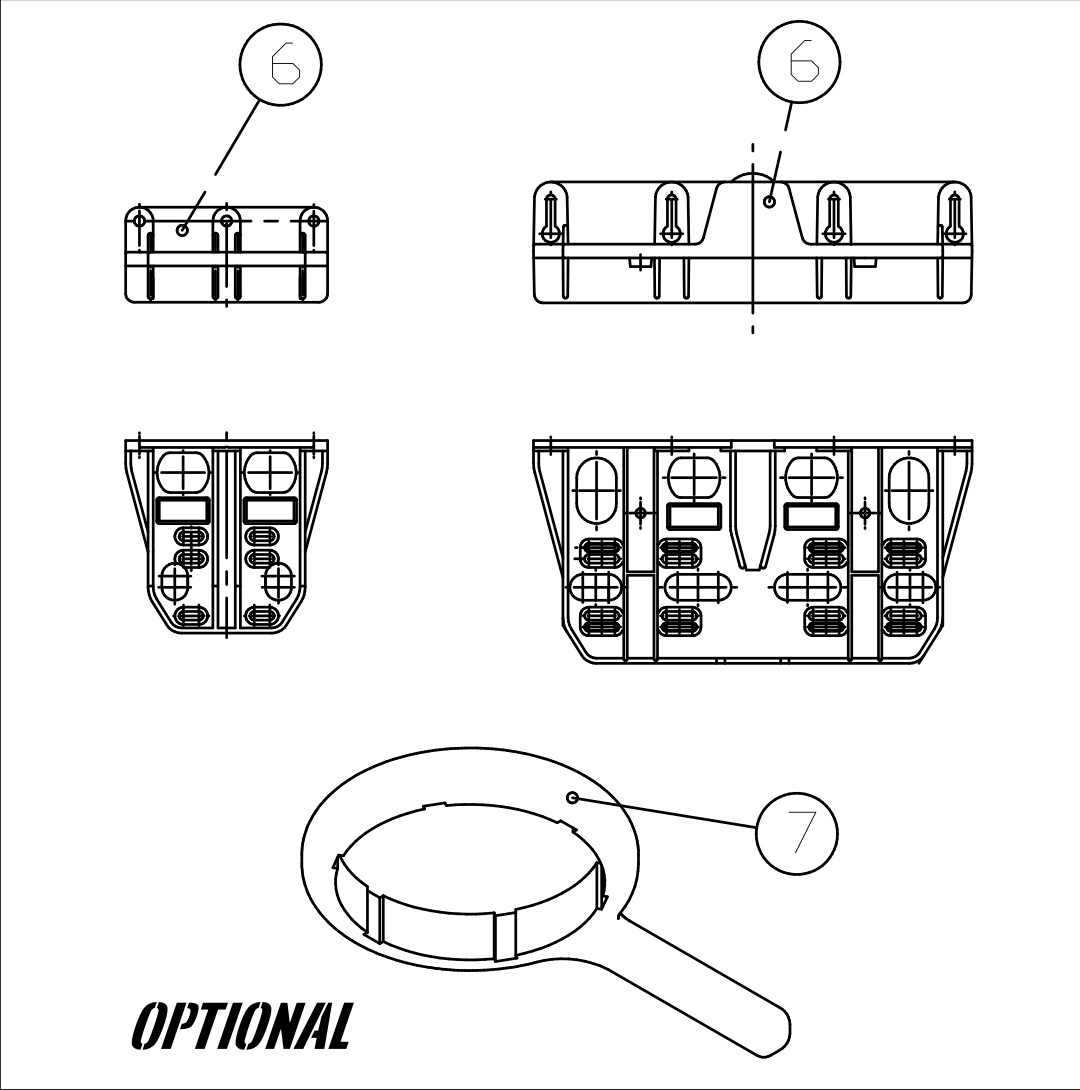


SENZA INSERTI IN OTTONE
Without brass insert



	L =	L1 =
9" 3/4	308	315
20"	567	574



1	TESTA / Head	1	PP
2	GHIERA / Ring-nut	1	PP
3	VASO / Bowl	1	PP
4	VALVOLA DI SFIATO IN PP CON MOLLA AISI 304 / PP relief valve with AISI 304 spring	1	
5	MG011370 O-RING 4350 D.96.06 x d.89 x 3.53	1	NBR
6	A6010930-A6011340 STAFFA SINGOLA - STAFFA DOPPIA / Bracket single - Bracket double	1	PP
7	A6010010 CHIAVE / Key	1	PP
POS.	CODE	DENOMINATION	QUANTITY MATERIALS
ALL DIMENSIONS MILLIMETERS		ALL SURFACES FINISH ROUGHNESS IN Ra µm	GENERAL TOLLERANCES UNLESS OTHERWISE SPECIFIED UNI-EN 22768-mK UNI-EN 22768-c
SIMILAR TO		CRITICAL INDEX	WORK ORDER
DRAWN DATE 14/07/2022		APPROVED DATE .	
BY UT		BY .	
DENOMINATION FILTRO FP3 PP SAN 1 x _ _			CODE FP3SANST01_ _034FT
MODIFICATION		DATE	BY
BARCODE		SCALE 1:1	PROJECTION

REPRODUCTION IS PROHIBITED - ALL RIGHTS RESERVED ACCORDING TO THE LAW