
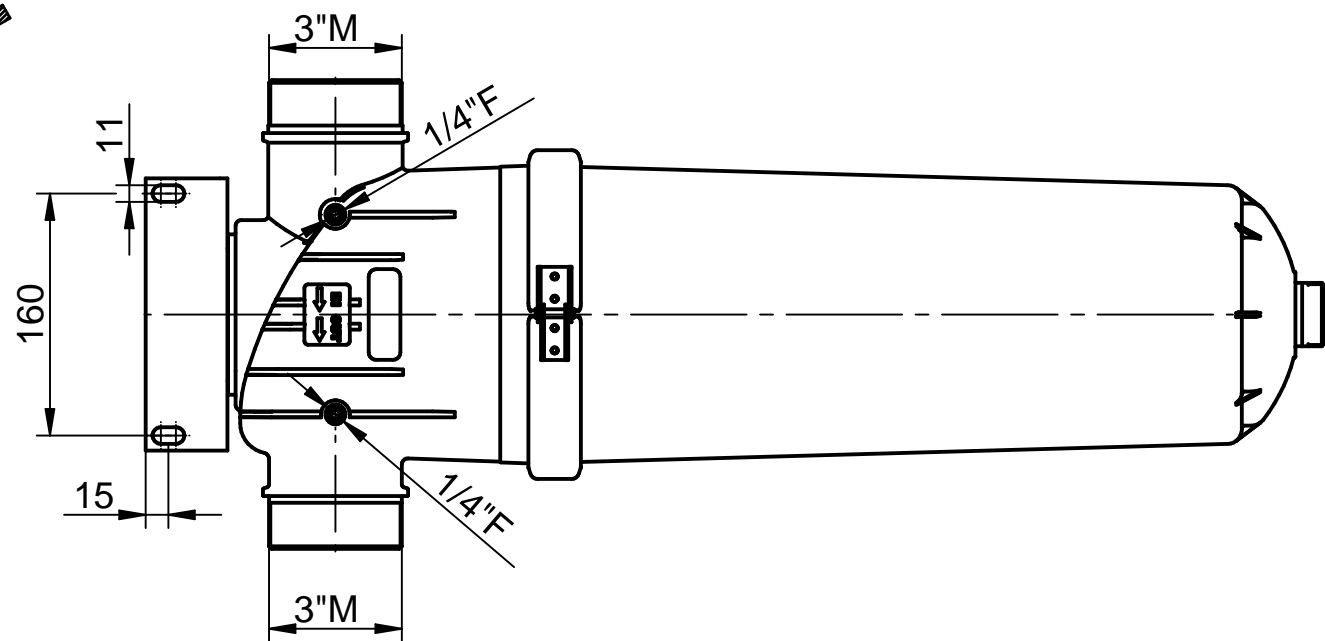
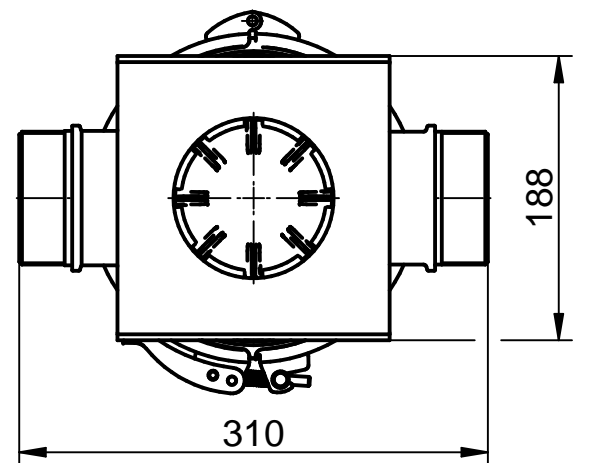
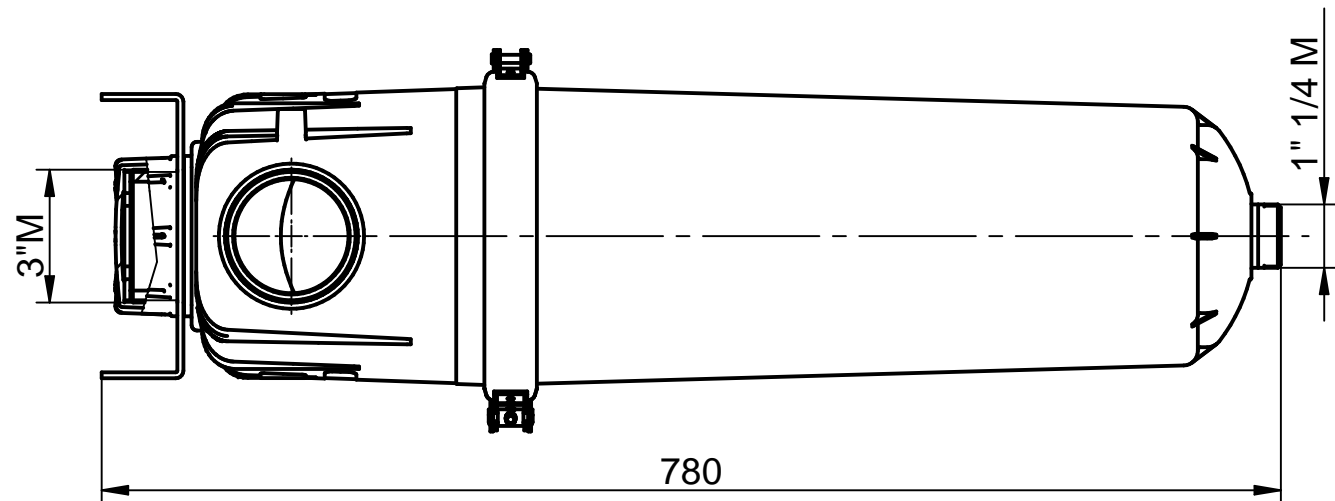
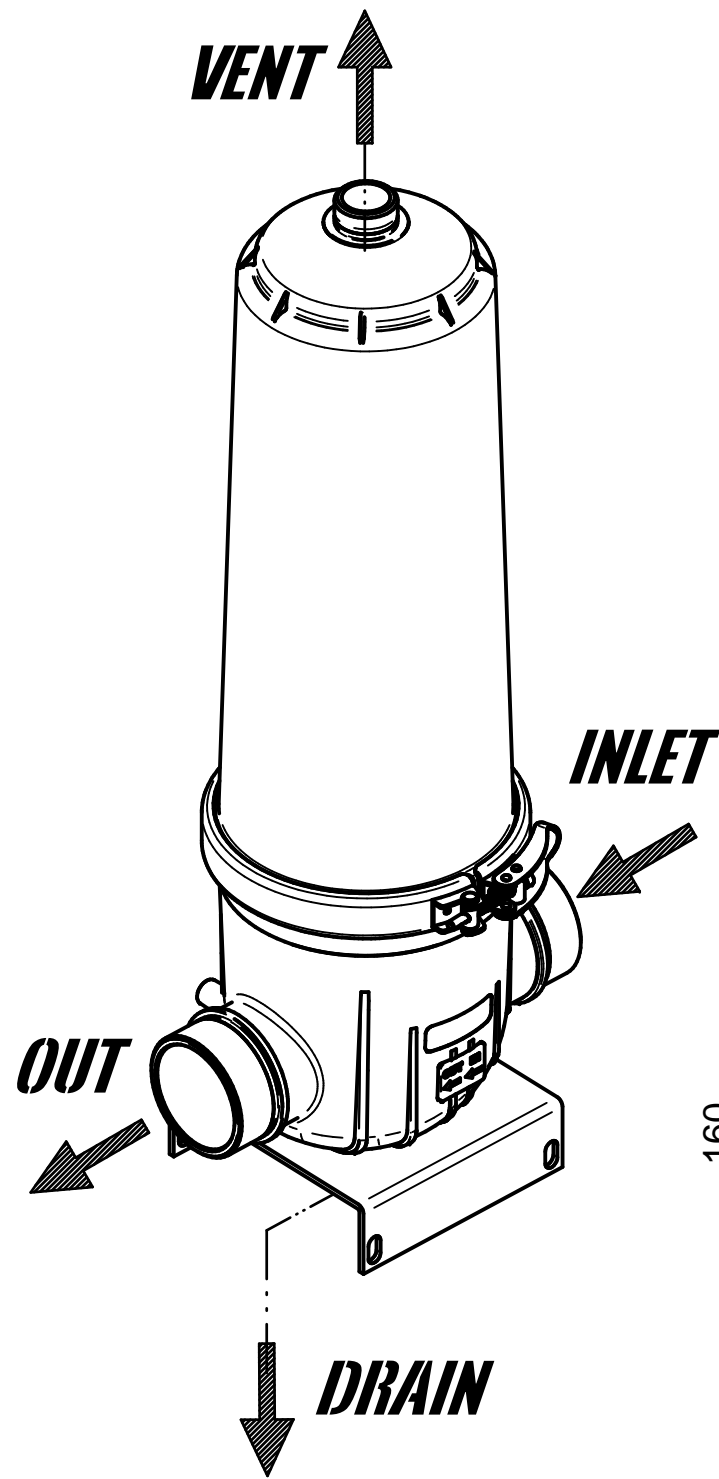



POS.	CODE	DENOMINATION			QUANTITY	MATERIALS	
ALL DIMENSIONS MILLIMETERS	ALL SURFACES FINISH ROUGHNESS IN Ra $\mu\text{m}$	GENERAL TOLLERANCES UNLESS OTHERWISE SPECIFIED UNI-EN 22768-mK UNI-EN 22768-c			NOT QUOTED FILLET R=0.3 CHAMFER 0.3x45°		
SIMILAR TO	CRITICAL INDEX	WORK ORDER	JOB	QUANTITY	DRAWN DATE 26/08/2020 BY Tecnico	APPROVED DATE - BY -	
DENOMINATION <b>BAGMAX FMX-S-01 1x13"</b>					CODE FMXSPA0113_ _ _	REV.	
				MODIFICATION		DATE	BY
				BARCODE		SCALE 1:5	PROJECTION
REPRODUCTION IS PROHIBITED - ALL RIGHTS RESERVED ACCORDING TO THE LAW							



POS.	CODE	DENOMINATION			QUANTITY	MATERIALS	
ALL DIMENSIONS MILLIMETERS	ALL SURFACES FINISH ROUGHNESS IN Ra $\mu$ m	GENERAL TOLLERANCES UNLESS OTHERWISE SPECIFIED UNI-EN 22768-mK UNI-EN 22768-c			NOT QUOTED FILLET R=0.3 CHAMFER 0.3x45°		
SIMILAR TO	CRITICAL INDEX	WORK ORDER	JOB	QUANTITY	DRAWN DATE 26/08/2020 BY Tecnico	APPROVED DATE - BY -	
DENOMINATION <b>BAGMAX FMX-S-01 1x20"</b>					CODE FMXSPA0120	REV.	
				MODIFICATION		DATE	BY
				BARCODE		SCALE 1:5	PROJECTION
REPRODUCTION IS PROHIBITED - ALL RIGHTS RESERVED ACCORDING TO THE LAW							