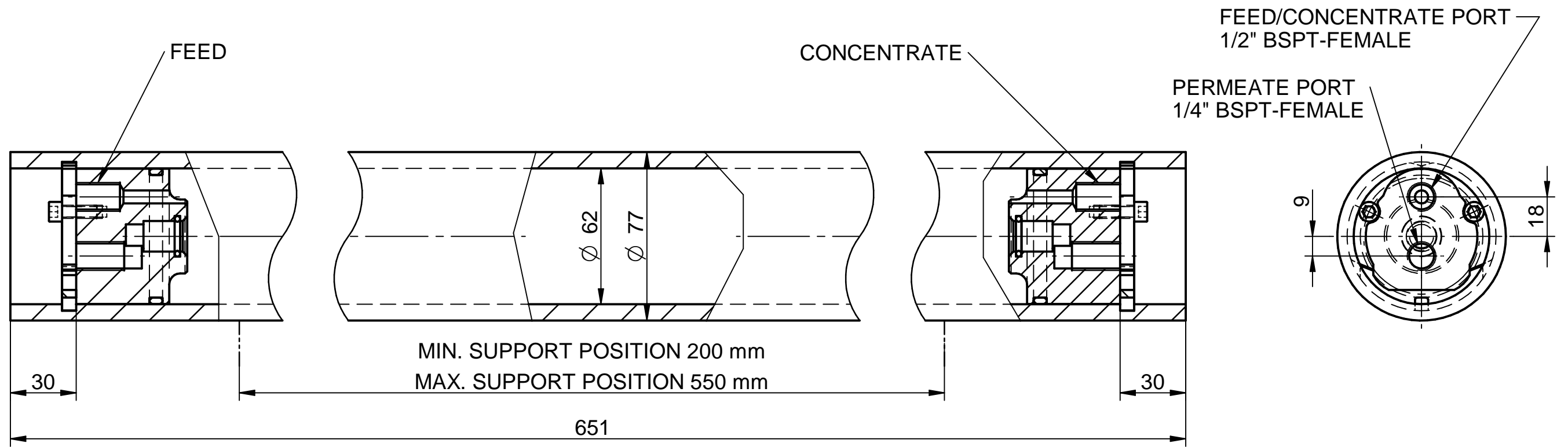


MAX. WORKING PRESSURE	PRESSURE VESSEL	N°MEMBRANES	MEMBRANE LENGHT
1000 PSI (69 bar)	2,5"	1	21"



NOTES:

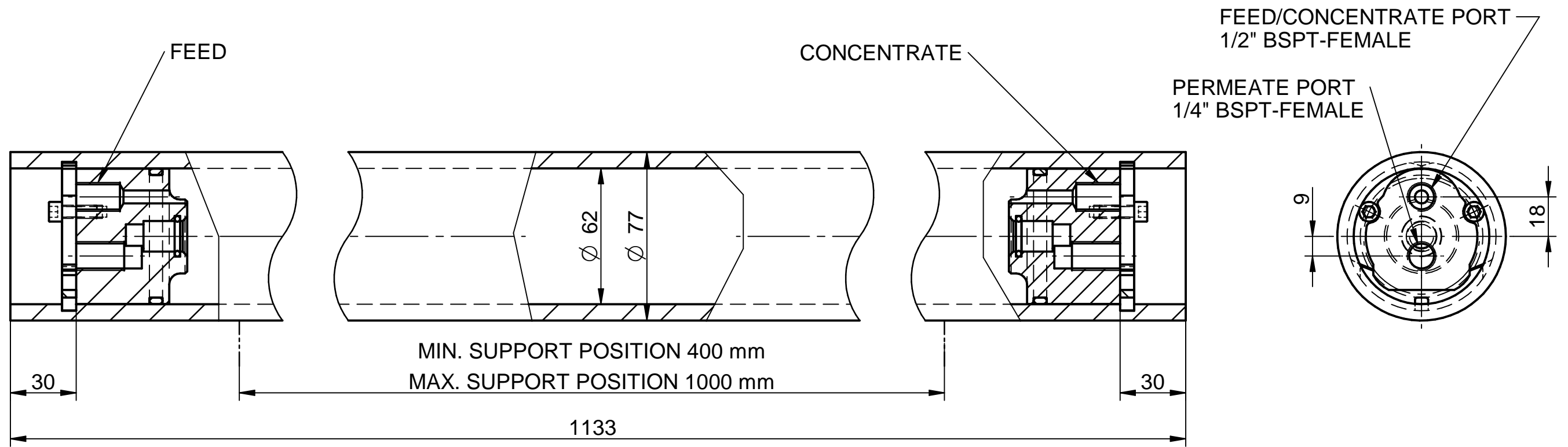
1. All dimensions are for reference only, not for construction unless certified.
2. Drawing unit: mm
3. Do not scale drawing, may be reprinted on any paper size or copied.
4. Storage & installation: Indoor
5. Vessel's Ports diameters, according to ANSI Standards
6. Max Dry Weight: 2,8 kg

WARNING

1. Never pressurize a pressure vessel that was not loaded with membrane elements.
2. Wrong manifolding may cause an excessive load on port what can lead to leaks.
3. Max. allowable pressure not to exceed 1000 psi. (69 bar)
4. Permeate internal pressure not to exceed 125 psi. (8,6 bar)
5. Operating temperature not to exceed 65°C (150°F)

POS.	CODE	DENOMINATION			QUANTITY	MATERIALS
ALL DIMENSIONS MILLIMETERS	ALL SURFACES FINISH ROUGHNESS IN Ra μ m	GENERAL TOLLERANCES UNLESS OTHERWISE SPECIFIED UNI-EN 22768-mK UNI-EN 22768-c			NOT QUOTED FILLET R=0.3 CHAMFER 0.3x45°	
SIMILAR TO	CRITICAL INDEX	WORK ORDER	JOB	QUANTITY	DRAWN DATE 26/07/2021 BY Tecnico	APPROVED DATE - BY -
DENOMINATION FIBERBLUE-FBPV-25-1000-E				CODE FBPVFRP2521011000PEGY		REV.
				MODIFICATION		DATE
				DATE		BY
REPRODUCTION IS PROHIBITED - ALL RIGHTS RESERVED ACCORDING TO THE LAW				SCALE	PROJECTION	
				1:2		

MAX. WORKING PRESSURE	PRESSURE VESSEL	N°MEMBRANES	MEMBRANE LENGHT
1000 PSI (69 bar)	2,5"	1	40"




NOTES:

1. All dimensions are for reference only, not for construction unless certified.
2. Drawing unit: mm
3. Do not scale drawing, may be reprinted on any paper size or copied.
4. Storage & installation: Indoor
5. Vessel's Ports diameters, according to ANSI Standards
6. Max Dry Weight: 4,6 kg

WARNING

1. Never pressurize a pressure vessel that was not loaded with membrane elements.
2. Wrong manifolding may cause an excessive load on port what can lead to leaks.
3. Max. allowable pressure not to exceed 1000 psi. (69 bar)
4. Permeate internal pressure not to exceed 125 psi. (8,6 bar)
5. Operating temperature not to exceed 65°C (150°F)

POS.	CODE	DENOMINATION		QUANTITY	MATERIALS
ALL DIMENSIONS MILLIMETERS	ALL SURFACES FINISH ROUGHNESS IN Ra µm	GENERAL TOLLERANCES UNLESS OTHERWISE SPECIFIED UNI-EN 22768-mK UNI-EN 22768-c		NOT QUOTED FILLET R=0.3 CHAMFER 0.3x45°	
SIMILAR TO	CRITICAL INDEX	WORK ORDER	JOB	QUANTITY	DRAWN DATE 26/07/2021 BY Tecnico
				APPROVED DATE - BY -	
DENOMINATION FIBERBLUE-FBPV-25-1000-E			CODE FBPVFRP2540011000PEGY	REV.	
			MODIFICATION	DATE	BY
REPRODUCTION IS PROHIBITED - ALL RIGHTS RESERVED ACCORDING TO THE LAW			SCALE 1:2	PROJECTION	