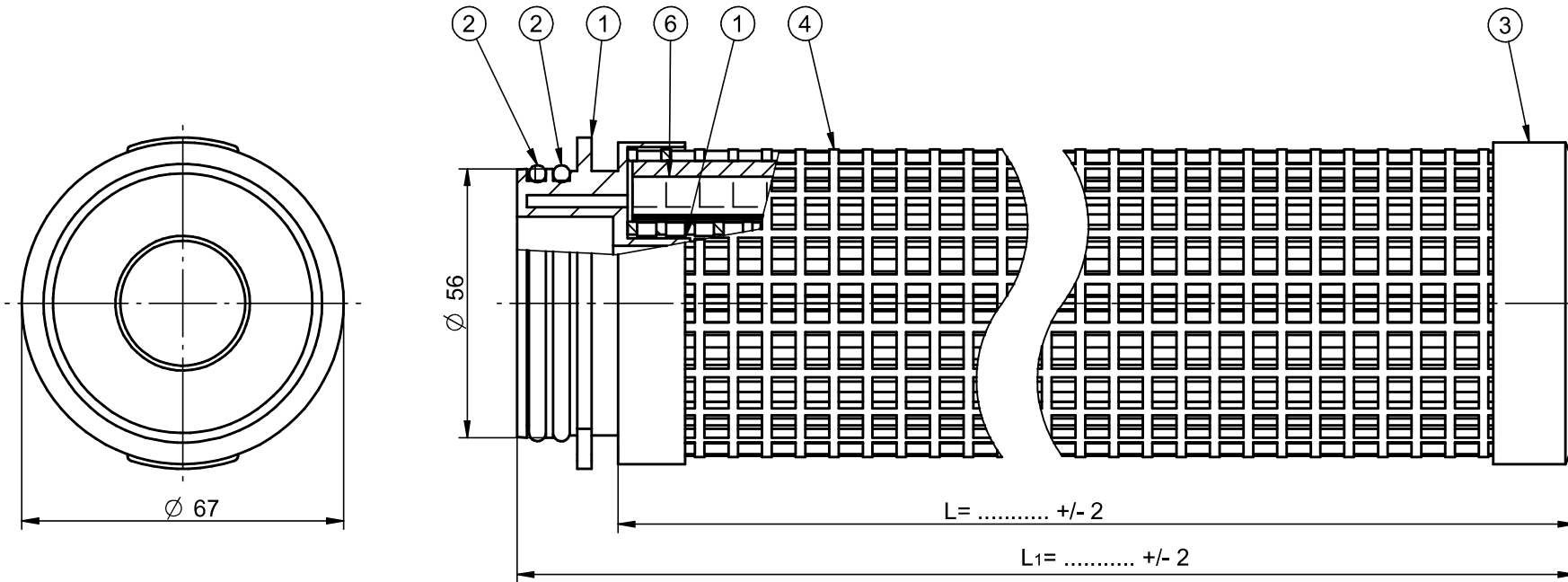


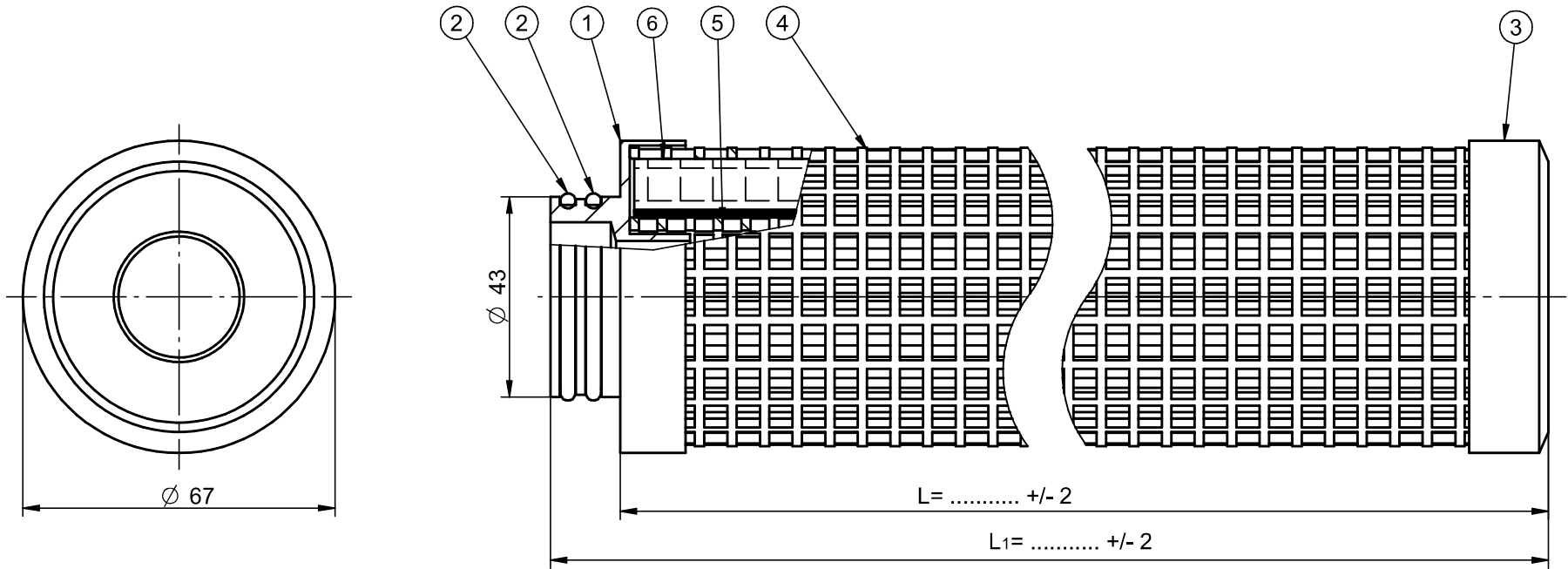
	L =
9"3/4	248 mm.
20"	510 mm.
30"	757 mm.
40"	1016 mm.

1	GUARNIZIONE PER ATTACCO DOE	2	Silicone
2	MATERIALE FILTRANTE	1	PP
3	ATTACCO DOE-ST END CAPS	2	PP
4	SUPPORTO ESTERNO De64 Di,59,3	1	PP
5	SUPPORTO INTERNO DE34 Di,28,5	1	PP
POS.	CODE	DENOMINATION	QUANTITY	MATERIALS
ALL DIMENSIONS MILLIMETERS		ALL SURFACES FINISH ROUGHNESS IN Ra µm	GENERAL TOLLERANCES UNLESS OTHERWISE SPECIFIED UNI-EN 22768-mK UNI-EN 22768-c	
		NOT QUOTED FILLET R=0.3 CHAMFER 0.3x45°		
SIMILAR TO	CRITICAL INDEX	WORK ORDER	JOB	QUANTITY
DRAWN DATE 09/09/2019 BY Tecnico			APPROVED DATE _ BY _	
DENOMINATION PES99G -			CODE PES99G - ST	REV.
		MODIFICATION		DATE
		SCALE 1:1		PROJECTION
REPRODUCTION IS PROHIBITED - ALL RIGHTS RESERVED ACCORDING TO THE LAW		BARCODE		



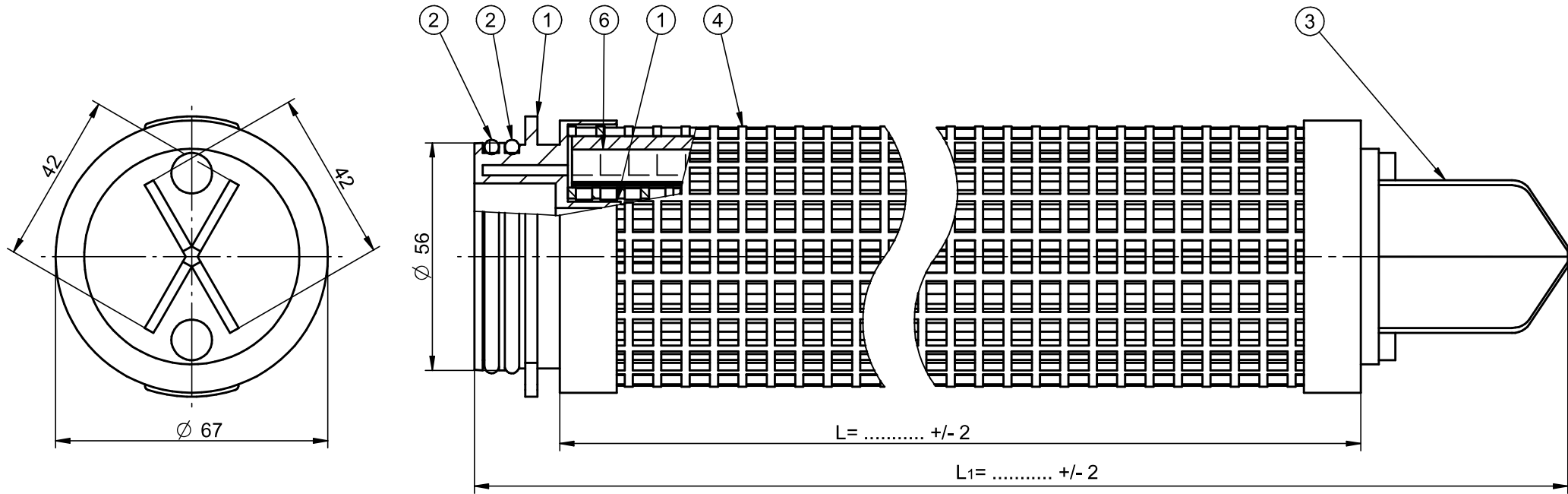
	L =	L1 =
9"3/4	249,5	281,5
20"	490	522
30"	730,5	762,5
40"	971	1003

ATTACCO CODE 2 C2	1	040030300PP0000	ATTACCO 226	1	PP
	2	040029900VARI00	O-RING 226 D.50,39x3,53x57,45	2	VARI
	3	040030200PP0000	ATTACCO FLAT	1	PP
	4	SUPPORTO ESTERNO De64 Di,59,3	1	PP
	5	SUPPORTO INTERNO DE34 Di,28,5	1	PP
	6	MATERIALE FILTRANTE	1	PP
POS.	CODE	DENOMINATION		QUANTITY	MATERIALS
ALL DIMENSIONS MILLIMETERS		ALL SURFACES FINISH ROUGHNESS IN Ra µm	GENERAL TOLLERANCES UNLESS OTHERWISE SPECIFIED UNI-EN 22768-mK UNI-EN 22768-c	NOT QUOTED FILLET R=0.3 CHAMFER 0.3x45°	
SIMILAR TO	CRITICAL INDEX	WORK ORDER	JOB	QUANTITY	DRAWN DATE 09/09/2019 BY Tecnico
DENOMINATION PES99G - C2				CODE PES99G_ _ _ C2_	REV.
			MODIFICATION		DATE
			SCALE 1:1		PROJECTION
REPRODUCTION IS PROHIBITED - ALL RIGHTS RESERVED ACCORDING TO THE LAW					



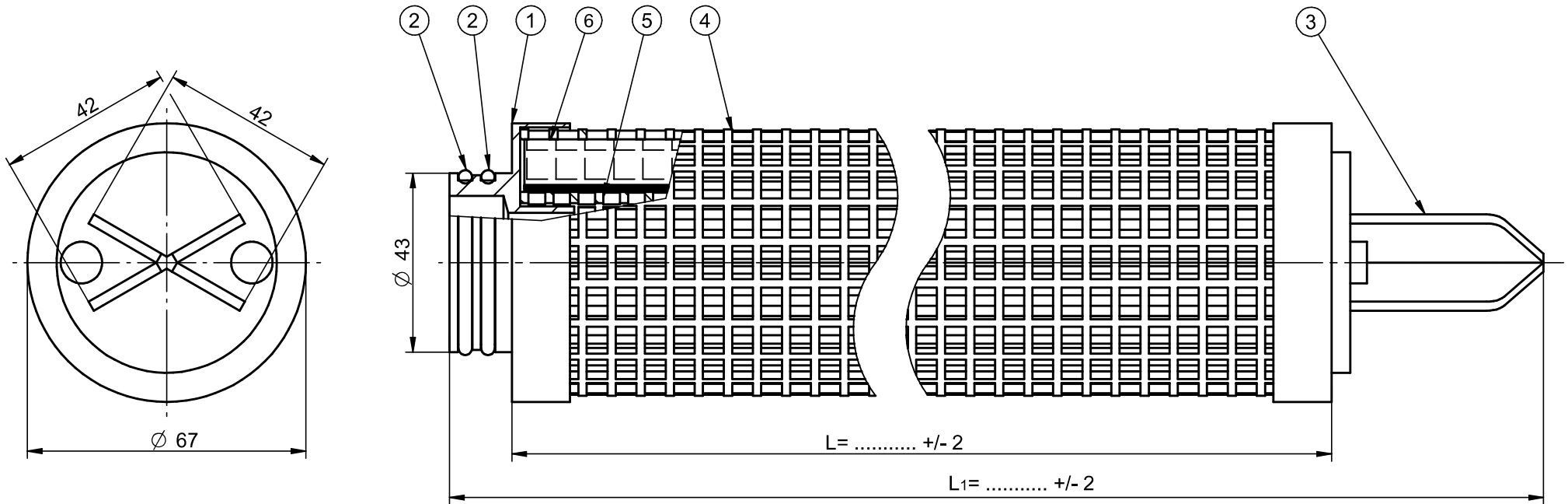
	L =	L1 =
9"3/4	249,5	276
20"	490	516,5
30"	730,5	757
40"	971	197,5

POS.	CODE	DENOMINATION	QUANTITY	MATERIALS
1	040030100PP0000	ATTACCO 222	1	PP
2	040030000VARI00	O-RING 222 D.37,69x3,53x44,75	2	VARI
3	040030200PP0000	ATTACCO FLAT	1	PP
4	SUPPORTO ESTERNO De64 Di,59,3	1	PP
5	SUPPORTO INTERNO DE34 Di,28,5	1	PP
6	MATERIALE FILTRANTE	1	PP
ALL DIMENSIONS MILLIMETERS		ALL SURFACES FINISH ROUGHNESS IN Ra µm	GENERAL TOLLERANCES UNLESS OTHERWISE SPECIFIED UNI-EN 22768-mK UNI-EN 22768-c	
SIMILAR TO		CRITICAL INDEX	WORK ORDER	JOB
QUANTITY		DRAWN DATE 09/09/2019 BY Tecnico		APPROVED DATE BY
DENOMINATION PES99G - C3			CODE PES99G+ C3	REV.
		MODIFICATION		DATE
		SCALE 1:1		PROJECTION
REPRODUCTION IS PROHIBITED - ALL RIGHTS RESERVED ACCORDING TO THE LAW				



	L =	L1 =
9"3/4	249,5	315,5
20"	490	556
30"	730,5	796,5
40"	971	1037

ATTACCO CODE 7 C7	1	040030300PP0000	ATTACCO 226	1	PP
	2	040029900VARI00	O-RING 226 D.50,39x3,53x57,45	2	VARI
	3	040030400PP0000	ATTACCO SPEAR	1	PP
	4	SUPPORTO ESTERNO De64 Di,59,3	1	PP
	5	SUPPORTO INTERNO DE34 Di,28,5	1	PP
	6	MATERIALE FILTRANTE	1	PP
POS.	CODE	DENOMINATION		QUANTITY	MATERIALS
ALL DIMENSIONS MILLIMETERS		ALL SURFACES FINISH ROUGHNESS IN Ra μm	GENERAL TOLLERANCES UNLESS OTHERWISE SPECIFIED UNI-EN 22768-mK UNI-EN 22768-c	NOT QUOTED FILLET R=0.3 CHAMFER 0.3x45°	
SIMILAR TO	CRITICAL INDEX	WORK ORDER	JOB	QUANTITY	DRAWN DATE 09/09/2019 BY Tecnico
APPROVED DATE BY				REV.	
DENOMINATION PES99G - C7				CODE PES99G - C7	
			MODIFICATION		DATE
			BY		SCALE 1:1
REPRODUCTION IS PROHIBITED - ALL RIGHTS RESERVED ACCORDING TO THE LAW			BARCODE		



	L =	L1 =
9"3/4	249,5	316,5
20"	490	557
30"	730,5	797,5
40"	971	1038

ATTACCO CODE 8 C8	1	040030100PP0000	ATTACCO 222	1	PP
	2	040030000VARI00	O-RING 222 D.37,69x3,53x44,75	2	VARI
	3	040030400PP0000	ATTACCO SPEAR	1	PP
	4	SUPPORTO ESTERNO De64 Di,59,3	1	PP
	5	SUPPORTO INTERNO DE34 Di,28,5	1	PP
	6	MATERIALE FILTRANTE	1	PP
POS.	CODE	DENOMINATION		QUANTITY	MATERIALS
ALL DIMENSIONS MILLIMETERS		ALL SURFACES FINISH ROUGHNESS IN Ra µm	GENERAL TOLLERANCES UNLESS OTHERWISE SPECIFIED UNI-EN 22768-mK UNI-EN 22768-c	NOT QUOTED FILLET R=0.3 CHAMFER 0.3x45°	
SIMILAR TO	CRITICAL INDEX	WORK ORDER	JOB	QUANTITY	DRAWN DATE 09/09/2019 BY Tecnico
APPROVED DATE _ BY _				REV.	
DENOMINATION PES99G - C8				CODE PES99G - C8	
			MODIFICATION		DATE
			BY		
REPRODUCTION IS PROHIBITED - ALL RIGHTS RESERVED ACCORDING TO THE LAW				SCALE 1:1	PROJECTION